

# Babar

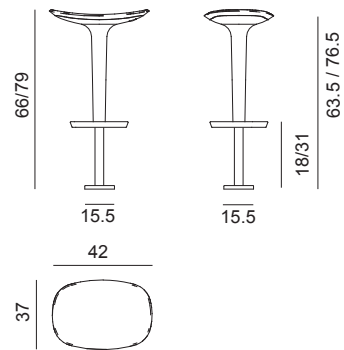
Design by Simon Pengelly, 2006

## Art. 1759 1760

Plastic stool with seat in soft integral polyurethane or upholstered in leather, faux leather, fabric or customer's material. Height adjustable or with fixed height between 63.5-76.5 cm upon request. Brushed or chromed stainless steel base fitted with floor anchoring system. Steam available in six different colours.



### Dimensions \*



\* File CAD 2D - 3D available for download at [www.arper.com](http://www.arper.com)

### Frame Base



CRO S03

### Shell

#### Polyurethane



PU  
Polyurethane

#### Carded In



#### Graded In

**kvadrat**

**camira**



DESIGN  
TEX



**Gabriel**



**svensson**

**maharam**

**Serge Ferrari**

# Babar

## Design by Simon Pengelly, 2006

---

### Accessories:



Cushion Art. 1763





Cushion Art. 1764

---

### SHIPMENT DETAILS

#### Art.1759

1 pz = 1  - kg 15,12/ m<sup>2</sup> 0,18

1 pz = 1  - kg 15,12/ m<sup>2</sup> 0,18

---

### RESISTANCE TEST

- EN 12727:2000 6.10
- EN 12727:2000 6.12
- EN 12727:2000 6.4
- EN 12727:2000 6.9
- EN 1728:2000 - EN 15373:2007 A - A.5
- EN 12727:2000 6.11
- EN 12727:2000 6.3
- EN 12727:2000 6.8
- EN 1728:2000 - EN 15373:2007 6.4
- EN 15373:2007 A.5

---

### FIRE RETARDANT TEST

Classe 1IM Faux leather Valencia • California TB117-2013 Cava 3 Clara Canvas Divina MD Divina Melange 2 Divina 3 Soft leather Elmosoft Field Hallingdal 65 Jet Jumper 3 Pro 3 Soft leather Pause 4 Remix 2 Savanna Steelcut 2 Scuba Steelcut Trio 2 Steelcut Trio 3 Sunniva Sunniva 2 Tonus 4 Tempo Faux leather Valencia • BS5852 Sch. 4 Part 1 Faux leather Valencia • BS5852 Sch. 5 Part 1 Cava 3 Clara Canvas Divina MD Divina Melange 2 Divina 3 Soft leather Elmosoft Hallingdal 65 Soft leather Remix 2 Savanna Steelcut 2 Steelcut Trio 2 Steelcut Trio 3 Tonus 4 Faux leather Valencia

---

### ENVIRONMENTAL CERTIFICATIONS



arper

F +39 0422 791800

T +39 0422 7918

www.arper.com