

Babar

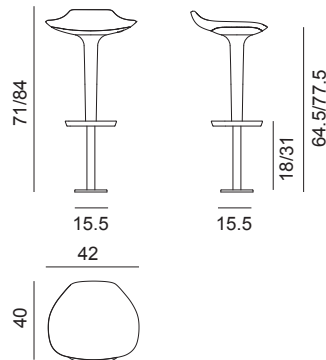
Design by Simon Pengelly, 2006

Art. 1761 1762

Plastic stool with soft integral polyurethane seat, fitted with backrest. A version with cushion upholstered in leather, faux leather, fabric or customer's material is also available. Height adjustable or with fixed height between 64.5-77.5 cm upon request. Brushed or chromed stainless steel base fitted with floor anchoring system. Steam available in six different colours.

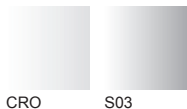


Dimensions *



* File CAD 2D - 3D available for download at www.arper.com

Frame Base



Shell

Polyurethane



PU
Polyurethane

Carded In



Graded In

kvadrat

camira



DESIGN
TEX



Gabriel



svensson

maharam

Serge Ferrari

Babar

Design by Simon Pengelly, 2006

Accessories:



Cushion Art. 1765



Cushion Art. 1766

SHIPMENT DETAILS

Art.1761

1 pz = 1 - kg 15,12/ m³ 0,18

1 pz = 1 - kg 15,12/ m³ 0,18

RESISTANCE TEST

- EN 12727:2000 6.11
- EN 12727:2000 6.3
- EN 12727:2000 6.5
- EN 1728:2000 - EN 15373:2007 6.4
- EN 12727:2000 6.12
- EN 12727:2000 6.4
- EN 12727:2000 6.8

FIRE RETARDANT TEST

Classe 1IM Faux leather Valencia • California TB117-2013 Cava 3 Clara Canvas Divina MD Divina Melange 2 Divina 3 Soft leather Elmosoft Field Hallingdal 65 Jet Jumper 3 Pro 3 Soft leather Pause 4 Remix 2 Savanna Steelcut 2 Scuba Steelcut Trio 2 Steelcut Trio 3 Sunniva Sunniva 2 Tonus 4 Tempo Faux leather Valencia • BS5852 Sch. 4 Part 1 Faux leather Valencia • BS5852 Sch. 5 Part 1 Cava 3 Clara Canvas Divina MD Divina Melange 2 Divina 3 Soft leather Elmosoft Hallingdal 65 Soft leather Remix 2 Savanna Steelcut 2 Steelcut Trio 2 Steelcut Trio 3 Tonus 4 Faux leather Valencia

ENVIRONMENTAL CERTIFICATIONS



arper

F +39 0422 791800

T +39 0422 7918

www.arper.com