

# Catifa 46

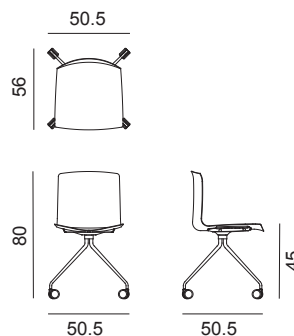
Design by Lievore Altherr Molina, 2004

## Art. 0273

Chair with chromed steel fixed trestle base, mounted on self-braking castors. The shell is available in single colour polypropylene, bi-colour polypropylene or upholstered in hard leather grade 1 (CT) or hard leather grade 2 (CU). Polypropylene and steel armrests, are available upon request.



## Dimensions \*



\* File CAD 2D - 3D available for download at [www.arper.com](http://www.arper.com)

## Frame Base



CRO

## Shell

### Polypropylene



PO  
Polypropylene  
two colors



PO  
Polypropylene  
one color

### Hard leather Grade 1 and Grade 2



CT



CU

arper

F +39 0422 791800

T +39 0422 7918

[www.arper.com](http://www.arper.com)

# Catifa 46

Design by Lievore Altherr Molina, 2004

---

## Accessories:



Cushion Art. 0261



Armrests BV





Armrests CV - pad (only for PO)

---

## SHIPMENT DETAILS

### Art.0273

1 pz = 2  - kg 10,7/ m<sup>2</sup> 0,25

4 pz = 2  - kg 33/ m<sup>2</sup> 0,34

---

## RESISTANCE TEST

- EN 1728:2000 - EN 15373:2007 6.15
- EN 1728:2000 - EN 15373:2007 6.2.2
- TUV GS (EN16139)

- EN 1728:2000 - EN 15373:2007 6.2.1
- EN 1728:2000 - EN 15373:2007 6.7

---

## TECHNICAL SPECIFICATIONS

---

## FIRE RETARDANT TEST

BS5852/90 Sez.5 cigarette match polypropylene • Classe 1 polypropylene • EN 1021 -1/2 polypropylene • M2 polypropylene • California TB133 polypropylene • BS5852 Sch. 5 Part 1 CT CU

---

## ENVIRONMENTAL CERTIFICATIONS



arper

F +39 0422 791800

T +39 0422 7918

www.arper.com

# Catifa 46

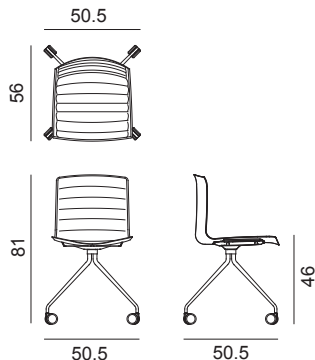
Design by Lievore Altherr Molina, 2004

## Art. 0275

Chair with chromed steel fixed trestle base, mounted on self-braking castors. The polypropylene shell is upholstered in leather, faux leather, fabric or customer's own material. Steel armrests, also upholstered, are available upon request.



### Dimensions \*



\* File CAD 2D - 3D available for download at [www.arper.com](http://www.arper.com)

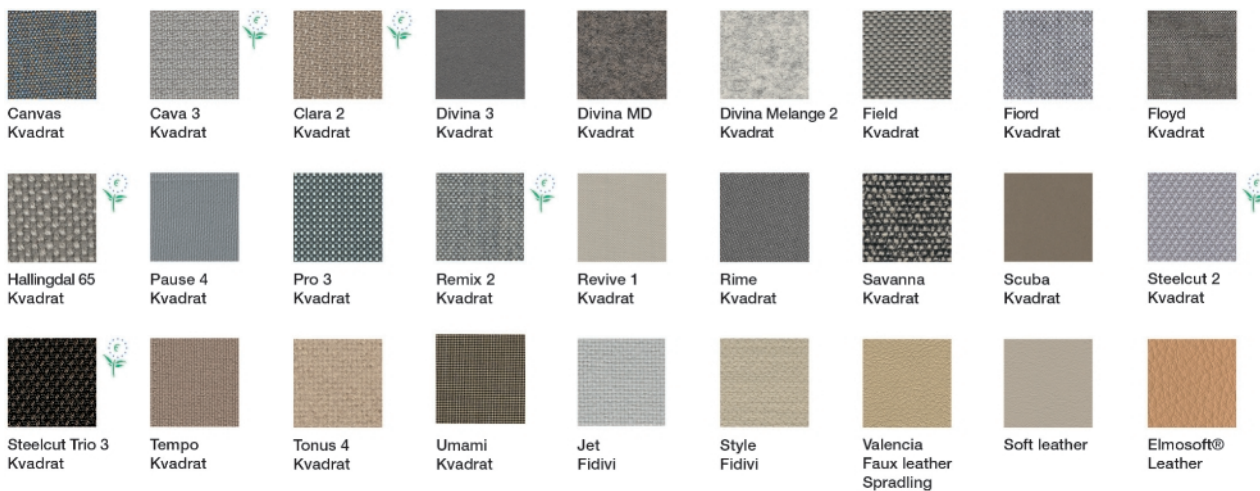
### Frame Base



CRO

### Shell

#### Carded In



#### Graded In

**kvadrat**

**camira**



DESIGN  
TEX



**Gabriel**



**svensson**

**maharam**

**Serge Ferrari**

# Catifa 46

Design by Lievore Altherr Molina, 2004



Armrests BV



Armrests CI - only pad

## SHIPMENT DETAILS

### Art.0275

1 pz = 2 - kg 12/ m<sup>3</sup> 0,27

4 pz = 2 - kg 39/ m<sup>3</sup> 0,4

## TECHNICAL SPECIFICATIONS

### Art.0275

COL requirement m<sup>2</sup> 1.67

H 140 cm. COM Meterage ml 1.1

Line detail stitching.

## RESISTANCE TEST

- EN 1728:2000 - EN 15373:2007 6.15
- EN 1728:2000 - EN 15373:2007 6.2.2
- EN 1022:05

- EN 1728:2000 - EN 15373:2007 6.2.1
- EN 1728:2000 - EN 15373:2007 6.7
- TUV GS (EN16139)

## FIRE RETARDANT TEST

Classe 1M Cava 3 Divina MD Divina Melange 2 Divina 3 Hallingdal 65 Pro 3 Soft leather Tonus 4 Faux leather Valencia • California TB117-2013 Cava 3 Clara Canvas Divina MD Divina Melange 2 Divina 3 Soft leather Elmosoft Field Hallingdal 65 Jet Jumper 3 Pro 3 Soft leather Remix 2 Savanna Steelcut 2 Scuba Steelcut Trio 2 Steelcut Trio 3 Sunniva Sunniva 2 Tonus 4 Tempo Faux leather Valencia • BS5852 Sch. 4 Part 1 Cava 3 Divina MD Divina Melange 2 Divina 3 Soft leather Elmosoft Hallingdal 65 Pro 3 Tonus 4 Faux leather Valencia • BS5852 Sch. 5 Part 1 Cava 3 Clara Canvas Divina MD Divina Melange 2 Divina 3 Soft leather Elmosoft Hallingdal 65 Soft leather Remix 2 Savanna Steelcut 2 Steelcut Trio 2 Steelcut Trio 3 Tonus 4 Faux leather Valencia • EN 1021 - 1 Divina MD Divina Melange 2 Divina 3 Soft leather Elmosoft Field Hallingdal 65 Pro 3 Soft leather • EN 1021 - 2 Divina MD Divina Melange 2 Divina 3 Soft leather Elmosoft Field Hallingdal 65 Pro 3 Soft leather

## ENVIRONMENTAL CERTIFICATIONS



arper

F +39 0422 791800

T +39 0422 7918

www.arper.com

# Catifa 46

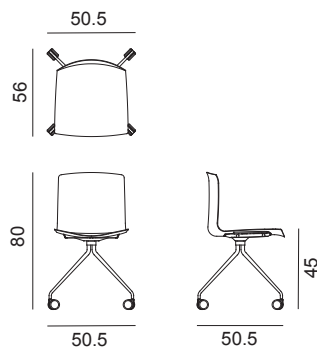
Design by Lievore Altherr Molina, 2004

## Art. 0284

Chair with chromed steel fixed trestle base, mounted on self-braking castors. The wood shell is available in three finishes (natural oak, bleached oak, wengé). Steel armrests are available upon request.



## Dimensions \*



\* File CAD 2D - 3D available for download at [www.arper.com](http://www.arper.com)

## Frame Base



CRO

## Shell

### Wood



L0020

L0021

L0022

arper

F +39 0422 791800

T +39 0422 7918

www.arper.com

# Catifa 46

Design by Lievore Altherr Molina, 2004

---

## Accessories:



Cushion Art. 0261




Armrests BV

---

## SHIPMENT DETAILS

### Art.0284

1 pz = 2  - kg 10,18/ m<sup>2</sup> 0,25

4 pz = 2  - kg 30,9/ m<sup>2</sup> 0,35

---

## RESISTANCE TEST

- TUV GS (EN16139)

---

## ENVIRONMENTAL CERTIFICATIONS



---

## TECHNICAL SPECIFICATIONS

---

## FIRE RETARDANT TEST

BS5852/90 Sez.5 cigarette match LG • Classe 1 LG

arper

F +39 0422 791800

T +39 0422 7918

www.arper.com

# Catifa 46

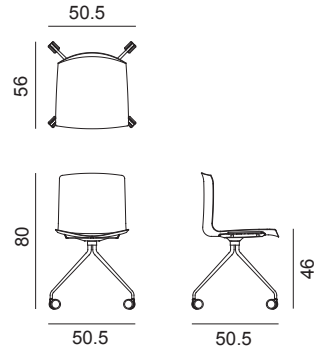
Design by Lievore Altherr Molina, 2014

## Art. 0330

Chair with chromed steel fixed trestle base, mounted on self braking castors. Wood shell with front upholstery in leather, faux leather, fabric or customer's own material. Steel armrests, also upholstered, are available upon request.



### Dimensions \*



\* File CAD 2D - 3D available for download at [www.arper.com](http://www.arper.com)

### Frame Base



CRO

### Shell

#### Wood



L0020 L0021 L0022

#### Carded In



#### Graded In

**kvadrat**

**camira**



DESIGN  
TEX



**Gabriel**



**svensson**

**maharam**

**Serge Ferrari**

# Catifa 46

Design by Lievore Altherr Molina, 2014

---



Armrests BV





Armrests CI - only pad

---

## SHIPMENT DETAILS

### Art.0330

1 pz = 2  - kg 13,4/ m<sup>3</sup> 0,28

4 pz = 2  - kg 40,44/ m<sup>3</sup> 0,4

---

## TECHNICAL SPECIFICATIONS

### Art.0330

COL requirement m<sup>2</sup> 0.84

H 140 cm. COM Meterage ml 0.65

---

## RESISTANCE TEST

---

## FIRE RETARDANT TEST

BS5852 Sch. 4 Part 1 Faux leather Valencia

---

## ENVIRONMENTAL CERTIFICATIONS

arper

F +39 0422 791800

T +39 0422 7918

www.arper.com



# Catifa 46

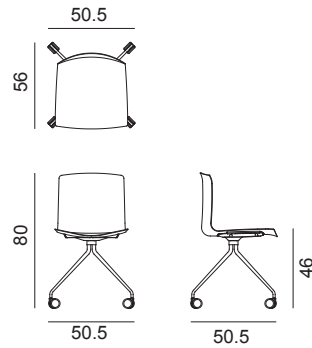
Design by Lievore Altherr Molina, 2012

## Art. 0457

Chair with chromed steel fixed trestle base, mounted on self-braking castors. Polypropylene shell with cushion upholstered in fabric, leather, faux leather or customer's own material applied to the seat surface. Steel armrests, also upholstered, are available upon request.



### Dimensions \*



\* File CAD 2D - 3D available for download at [www.arper.com](http://www.arper.com)

### Frame Base



CRO

### Shell

#### Polypropylene



PO  
Polypropylene  
two colors

PO  
Polypropylene  
one color

#### Carded In



#### Graded In

**kvadrat**

**camira**



DESIGN  
TEX



**Gabriel**



**svensson**

**maharam**

**Serge Ferrari**

# Catifa 46

Design by Lievore Altherr Molina, 2012



Armrests BV




Armrests CI - only pad

## SHIPMENT DETAILS

### Art.0457

1 pz = 2  - kg 13,4/ m<sup>2</sup> 0,28

4 pz = 2  - kg 40,44/ m<sup>2</sup> 0,4

## RESISTANCE TEST

- EN 1728:2000 - EN 15373:2007 6.15
- EN 1728:2000 - EN 15373:2007 6.2.2

- EN 1728:2000 - EN 15373:2007 6.2.1
- EN 1728:2000 - EN 15373:2007 6.7

## TECHNICAL SPECIFICATIONS

### Art.0457

COL requirement m<sup>2</sup> 0.48

H 140 cm. COM Meterage ml 0.59

## FIRE RETARDANT TEST

Classe 1M Cava 3 Divina MD Divina Melange 2 Divina 3 Hallingdal 65 Pro 3 Soft leather Tonus 4 Faux leather Valencia • California TB117-2013 Cava 3 Clara Canvas Divina MD Divina Melange 2 Divina 3 Soft leather Elmosoft Field Hallingdal 65 Jet Jumper 3 Pro 3 Soft leather Remix 2 Savanna Steelcut 2 Scuba Steelcut Trio 2 Steelcut Trio 3 Sunniva Sunniva 2 Tonus 4 Tempo Faux leather Valencia • BS5852 Sch. 4 Part 1 Cava 3 Divina MD Divina Melange 2 Divina 3 Soft leather Elmosoft Hallingdal 65 Pro 3 Tonus 4 Faux leather Valencia • BS5852 Sch. 5 Part 1 Cava 3 Clara Canvas Divina MD Divina Melange 2 Divina 3 Soft leather Elmosoft Hallingdal 65 Soft leather Remix 2 Savanna Steelcut 2 Steelcut Trio 2 Steelcut Trio 3 Tonus 4 Faux leather Valencia • EN 1021 - 1 Divina MD Divina Melange 2 Divina 3 Soft leather Elmosoft Field Hallingdal 65 Pro 3 Soft leather • EN 1021 - 2 Divina MD Divina Melange 2 Divina 3 Soft leather Elmosoft Field Hallingdal 65 Pro 3 Soft leather

## ENVIRONMENTAL CERTIFICATIONS

arper

F +39 0422 791800

T +39 0422 7918

www.arper.com

# Catifa 46

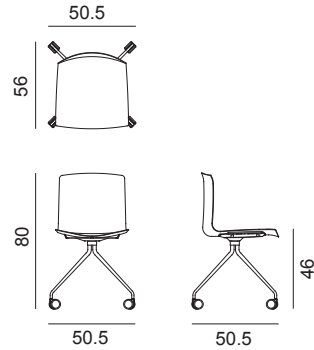
Design by Lievore Altherr Molina, 2004

## Art. 0462

Chair with chromed steel fixed trestle base, mounted on self-braking castors. Polypropylene shell with front upholstery in leather, faux leather, fabric or customer's own material. Steel armrests, also upholstered, are available upon request.



### Dimensions \*



\* File CAD 2D - 3D available for download at [www.arper.com](http://www.arper.com)

### Frame Base



CRO

### Shell

#### Polypropylene



PO  
Polypropylene  
one color

#### Carded In



#### Graded In

**kvadrat**

**camira**



DESIGN  
TEX



**Gabriel**



**svensson**

**maharam**

**Serge Ferrari**

# Catifa 46

Design by Lievore Altherr Molina, 2004




Armrests BV




Armrests CI - only pad

## SHIPMENT DETAILS

### Art.0462

1 pz = 2  - kg 13,4/ m<sup>2</sup> 0,28

4 pz = 2  - kg 40,44/ m<sup>2</sup> 0,4

## RESISTANCE TEST

- EN 1728:2000 - EN 15373:2007 6.15
- EN 1728:2000 - EN 15373:2007 6.2.2
- TUV GS (EN16139)
- EN 1728:2000 - EN 15373:2007 6.2.1
- EN 1728:2000 - EN 15373:2007 6.7

## TECHNICAL SPECIFICATIONS

### Art.0462

COL requirement m<sup>2</sup> 0.84

H 140 cm. COM Meterage ml 0.65

## FIRE RETARDANT TEST

Classe 1M Cava 3 Divina MD Divina Melange 2 Divina 3 Hallingdal 65 Pro 3 Soft leather Tonus 4 Faux leather Valencia • California TB117-2013 Cava 3 Clara Canvas Divina MD Divina Melange 2 Divina 3 Soft leather Elmosoft Field Hallingdal 65 Jet Jumper 3 Pro 3 Soft leather Remix 2 Savanna Steelcut 2 Scuba Steelcut Trio 2 Steelcut Trio 3 Sunniva Sunniva 2 Tonus 4 Tempo Faux leather Valencia • BS5852 Sch. 4 Part 1 Cava 3 Divina MD Divina Melange 2 Divina 3 Soft leather Elmosoft Hallingdal 65 Pro 3 Tonus 4 Faux leather Valencia • BS5852 Sch. 5 Part 1 Cava 3 Clara Canvas Divina MD Divina Melange 2 Divina 3 Soft leather Elmosoft Hallingdal 65 Soft leather Remix 2 Savanna Steelcut 2 Steelcut Trio 2 Steelcut Trio 3 Tonus 4 Faux leather Valencia • EN 1021 - 1 Divina MD Divina Melange 2 Divina 3 Soft leather Elmosoft Field Hallingdal 65 Pro 3 Soft leather • EN 1021 - 2 Divina MD Divina Melange 2 Divina 3 Soft leather Elmosoft Field Hallingdal 65 Pro 3 Soft leather

## ENVIRONMENTAL CERTIFICATIONS



arper

F +39 0422 791800

T +39 0422 7918

www.arper.com