

Catifa 53

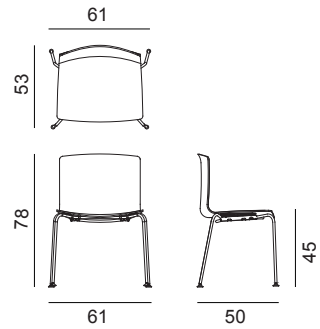
Design by Lievore Altherr Molina, 2001

Art. 0199

Chair with four-leg steel frame, available in the chromed, brushed or powdercoated version. The wood shell is available in four finishes (natural oak, bleached oak, wengé, teak). Steel armrests are available upon request.



Dimensions *



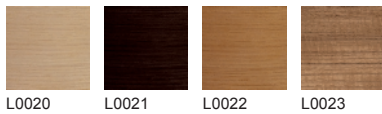
* File CAD 2D - 3D available for download at www.arper.com

Frame Base



Shell

Wood



arper

F +39 0422 791800

T +39 0422 7918

www.arper.com

Catifa 53

Design by Lievore Altherr Molina, 2001

Accessories:



Cushion Art. 0231



Link Art. 0258



Stacking protection glide Art. 0286



Trolley Art. 0760



Basket Art. 2014



Set of glides Art. 2015



Movable link Art. 2073



Armrests BV



Armrests BV brushed stainless steel

arper

SHIPMENT DETAILS

Art.0199

1 pz = 2 - kg 9,42/ m³ 0,3

4 pz = 2 - kg 25,94/ m³ 0,37

RESISTANCE TEST

ENVIRONMENTAL CERTIFICATIONS



TECHNICAL SPECIFICATIONS

FIRE RETARDANT TEST

BS5852/90 Sez.5 cigarette match LG • Classe 1 LG

Stackability:

- With stacking glide: up to 10 pcs. (should the weight exceed 25 kilos a handling tool must be used).
 - With stacking glide and trolley: up to 10 pcs.
- VERSION WITH ARMRESTS STACKABILITY
- Up to 5 pcs. (should the weight exceed 25 kilos a handling tool must be used).

F +39 0422 791800

T +39 0422 7918

www.arper.com

Catifa 53

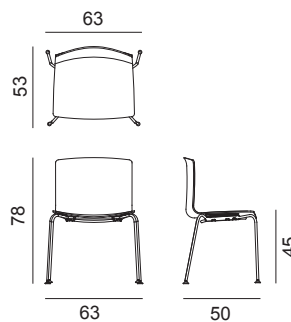
Design by Lievore Altherr Molina, 2001

Art. 0201

Chair with 4 leg base, available in chromed, powdercoated or brushed steel, polypropylene matt single-colour or upholstered in hard leather grade 1 (CT) or hard leather grade 2 (CU). Versions with polypropylene shell and powdercoated or stainless steel base can be used outdoor. Polypropylene and steel armrests, are available upon request.

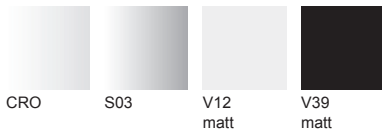


Dimensions *



* File CAD 2D - 3D available for download at www.arper.com

Frame Base



Shell

Polypropylene



PO
Polypropylene
one color

Hard leather Grade 1 and Grade 2



arper

F +39 0422 791800

T +39 0422 7918

www.arper.com

Catifa 53

Design by Lievore Altherr Molina, 2001

Accessories:



Stacking protection pad Art. 0228



Cushion Art. 0231



Link Art. 0258



Trolley Art. 0760



Stacking protection pad with link Art. 2013



Basket Art. 2014



Set of glides Art. 2015



Movable link Art. 2073



Armrests BV



Armrests BV brushed stainless steel



Armrests CV - pad (only for PO)

arper

SHIPMENT DETAILS

Art.0201

1 pz = 2 - kg 9,5/ m² 0,3

4 pz = 2 - kg 26,54/ m² 0,37

RESISTANCE TEST

- EN 1728:2000 - EN 15373:2007 6.16
- EN 1728:2000 - EN 15373:2007 6.2.2
- EN 1728:2012 - EN 16139:2013 6.17
- ENV 581-2 Appendice A.3.1

- EN 1728:2000 - EN 15373:2007 6.2.1
- EN 1728:2000 - EN 15373:2007 6.7
- EN 1022:05

ENVIRONMENTAL CERTIFICATIONS



TECHNICAL SPECIFICATIONS

Art.0201

Outdoor use: only for PO+ S03, V12, V39.

FIRE RETARDANT TEST

BS5852/90 Sez.5 cigarette match polypropylene • BS5852 Sch. 5 Part 1 CT CU

Stackability:

- Up to 10 pcs. (should the weight exceed 25 kilos a handling tool must be used).
- With trolley: up to 20 pcs.
- CT/CU versions: max. 5 pcs. With stacking pad.
- VERSION WITH ARMRESTS STACKABILITY
- Up to 5 pcs. (should the weight exceed 25 kilos a handling tool must be used).

F +39 0422 791800

T +39 0422 7918

www.arper.com

Catifa 53

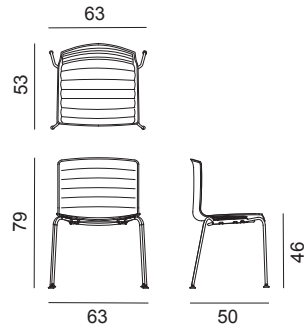
Design by Lievore Altherr Molina, 2001

Art. 0203

Chair with four-leg steel frame, available in the chromed, brushed or powdercoated version. The shell is upholstered in leather, faux leather, fabric or customer's material. Steel armrests, also upholstered, are available upon request.

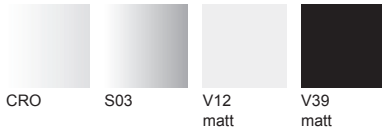


Dimensions *



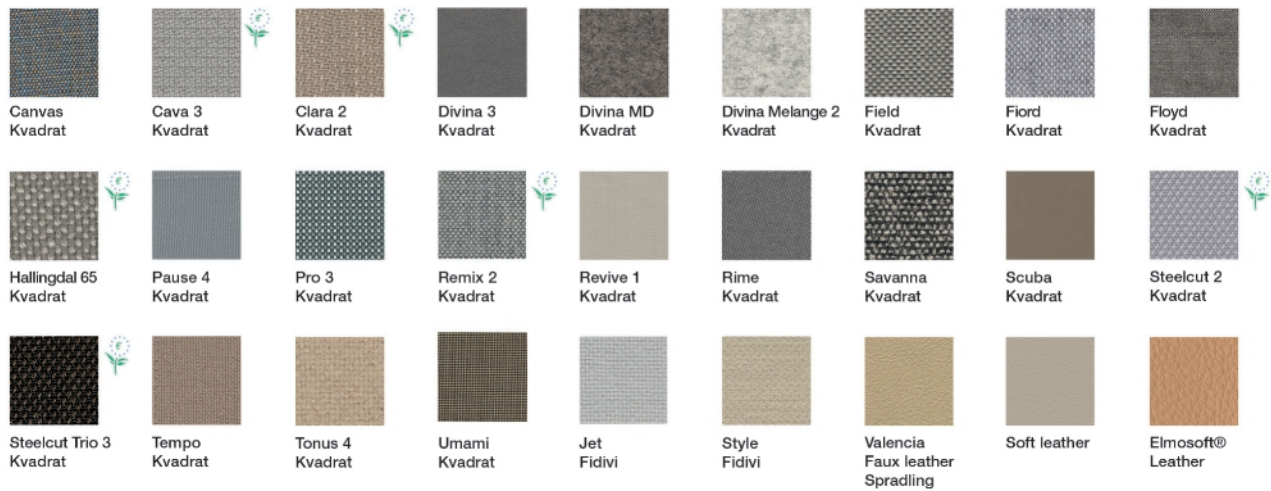
* File CAD 2D - 3D available for download at www.arper.com

Frame Base



Shell

Carded In



Graded In

kvadrat

camira



DESIGN
TEX



Gabriel



svensson

maharam

SergeFerrari

Catifa 53

Design by Lievore Altherr Molina, 2001

Accessories:



Stacking protection pad Art. 0228



Link Art. 0258



Trolley Art. 0760



Stacking protection pad with link Art. 2013



Basket Art. 2014



Set of glides Art. 2015



Movable link Art. 2073



Armrests BV



Armrests BV brushed stainless steel



Armrests CI - only pad

SHIPMENT DETAILS

Art.0203

1 pz = 2 - kg 10,5/ m² 0,3
4 pz = 2 - kg 30,94/ m² 0,41

TECHNICAL SPECIFICATIONS

Art.0203

COL requirement m² 1.78
H 140 cm. COM Meterage ml 1.21
Line detail stitching.

RESISTANCE TEST

- EN 1728:2000 - EN 15373:2007 6.16
- EN 1728:2000 - EN 15373:2007 6.2.2
- EN 1728:2012 - EN 16139:2013 6.17
- ENV 581-2 - Appendice A.3.1
- EN 1728:2000 - EN 15373:2007 6.2.1
- EN 1728:2000 - EN 15373:2007 6.7
- EN 1022:05

FIRE RETARDANT TEST

BS5852 i.s. 5 Cava 3 Soft leather Elmosoft Hallingdal 65 Pro 3 Tonus 4 • Classe 1IM Cava 3 Divina MD Divina Melange 2 Divina 3 Hallingdal 65 Pro 3 Soft leather Tonus 4 Faux leather Valencia • California TB117-2013 Cava 3 Clara Canvas Divina MD Divina Melange 2 Divina 3 Soft leather Elmosoft Field Hallingdal 65 Jet Jumper 3 Pro 3 Soft leather Pause 4 Remix 2 Savanna Steelcut 2 Scuba Steelcut Trio 2 Steelcut Trio 3 Sunniva Sunniva 2 Tonus 4 Tempo Faux leather Valencia • BS5852 Sch. 4 Part 1 Cava 3 Divina MD Divina Melange 2 Divina 3 Soft leather Elmosoft Hallingdal 65 Pro 3 Tonus 4 Faux leather Valencia • BS5852 Sch. 5 Part 1 Cava 3 Clara Canvas Divina MD Divina Melange 2 Divina 3 Soft leather Elmosoft Hallingdal 65 Soft leather Remix 2 Savanna Steelcut 2 Steelcut Trio 2 Steelcut Trio 3 Tonus 4 Faux leather Valencia • EN 1021 - 1 Divina MD Divina Melange 2 Divina 3 Soft leather Elmosoft Field Hallingdal 65 Pro 3 Soft leather • EN 1021 - 2 Divina MD Divina Melange 2 Divina 3 Soft leather Elmosoft Field Hallingdal 65 Pro 3 Soft leather

ENVIRONMENTAL CERTIFICATIONS



Stackability:

- With stacking protection pad: up to 8 pcs. (should the weight exceed 25 kilos a handling tool must be used).
- With stacking protection pad and trolley: up to 8 pcs.
- Soft leather - faux leather versions: max. 5 pcs. with stacking pad

VERSION WITH ARMRESTS STACKABILITY

- Up to 5 pcs. (should the weight exceed 25 kilos a handling tool must be used).

Catifa 53

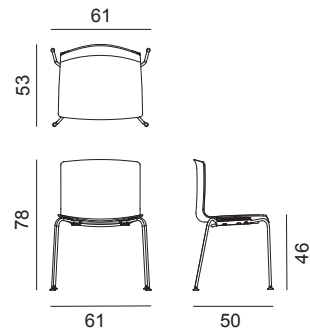
Design by Lievore Altherr Molina, 2001

Art. 2040

Chair with four-leg steel frame, available in the chromed, brushed or powdercoated version. The matt polypropylene shell has a front upholstery in leather, faux leather, fabric or customer's material. Steel armrests, also upholstered, are available upon request.



Dimensions *



* File CAD 2D - 3D available for download at www.arper.com

Frame Base



Shell

Polypropylene



PO
Polypropylene
one color

Carded In



Graded In

kvadrat

camira



DESIGN
TEX



Gabriel



svensson

maharam

Serge Ferrari

Catifa 53

Design by Lievore Altherr Molina, 2001

Accessories:



Stacking protection pad Art. 0228



Link Art. 0258



Trolley Art. 0760



Stacking protection pad with link Art. 2013



Basket Art. 2014



Set of glides Art. 2015



Movable link Art. 2073



Armrests BV



Armrests BV brushed stainless steel



Armrests CI - only pad

SHIPMENT DETAILS

Art.2040

1 pz = 2 - kg 11,3/ m² 0,3
4 pz = 2 - kg 34,2/ m² 0,41

TECHNICAL SPECIFICATIONS

Art.2040

COL requirement m² 0.84
H 140 cm. COM Meterage ml 0.72

RESISTANCE TEST

- EN 1728:2000 - EN 15373:2007 6.16
- EN 1728:2000 - EN 15373:2007 6.2.2
- EN 1728:2012 - EN 16139:2013 6.17
- ENV 581-2 Appendice A.3.1
- EN 1728:2000 - EN 15373:2007 6.2.1
- EN 1728:2000 - EN 15373:2007 6.7
- EN 1022:05

FIRE RETARDANT TEST

BS5852 i.s. 5 Cava 3 Soft leather Elmosoft Hallingdal 65 Pro 3 Tonus 4 • Classe 11M Cava 3 Divina MD Divina Melange 2 Divina 3 Hallingdal 65 Pro 3 Soft leather Tonus 4 Faux leather Valencia • California TB117-2013 Cava 3 Clara Canvas Divina MD Divina Melange 2 Divina 3 Soft leather Elmosoft Field Hallingdal 65 Jet Jumper 3 Pro 3 Soft leather Pause 4 Remix 2 Savanna Steelcut 2 Scuba Steelcut Trio 2 Steelcut Trio 3 Sunniva Sunniva 2 Tonus 4 Tempo Faux leather Valencia • BS5852 Sch. 4 Part 1 Cava 3 Divina MD Divina Melange 2 Divina 3 Soft leather Elmosoft Hallingdal 65 Pro 3 Tonus 4 Faux leather Valencia • BS5852 Sch. 5 Part 1 Cava 3 Clara Canvas Divina MD Divina Melange 2 Divina 3 Soft leather Elmosoft Hallingdal 65 Soft leather Remix 2 Savanna Steelcut 2 Steelcut Trio 2 Steelcut Trio 3 Tonus 4 Faux leather Valencia • EN 1021 - 1 Divina MD Divina Melange 2 Divina 3 Soft leather Elmosoft Field Hallingdal 65 Pro 3 Soft leather • EN 1021 - 2 Divina MD Divina Melange 2 Divina 3 Soft leather Elmosoft Field Hallingdal 65 Pro 3 Soft leather

ENVIRONMENTAL CERTIFICATIONS



Stackability:

- With stacking protection pad: up to 8 pcs. (should the weight exceed 25 kilos a handling tool must be used).
 - With stacking protection pad and trolley: up to 8 pcs.
- VERSION WITH ARMRESTS STACKABILITY**
- Up to 5 pcs. (should the weight exceed 25 kilos a handling tool must be used).

Catifa 53

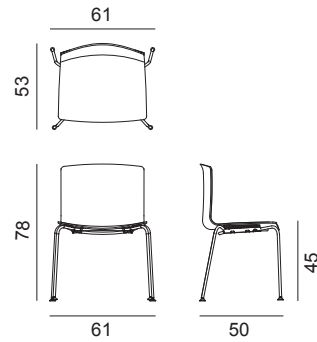
Design by Lievore Altherr Molina, 2001

Art. 2094

Chair with four leg base made of chromed, powdercoated or brushed steel. Double-curved wood shell available in four finishes (natural oak, bleached oak, wengé, teak) with front upholstery in leather, faux leather, fabric or customer's material. Steel armrests, also upholstered, are available upon request.

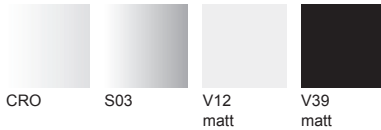


Dimensions *



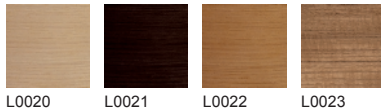
* File CAD 2D - 3D available for download at www.arper.com

Frame Base

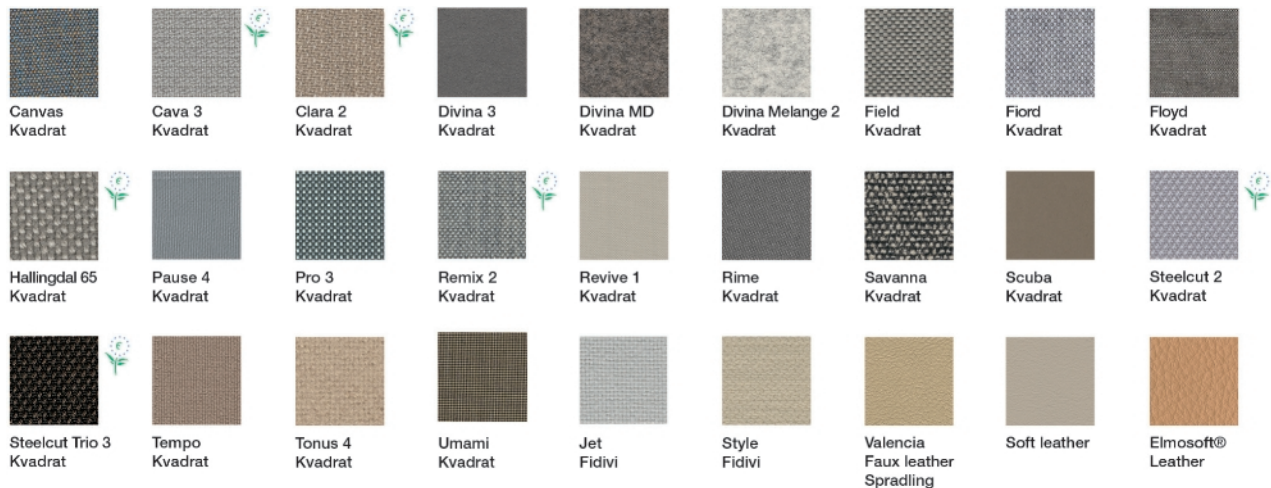


Shell

Wood



Carded In



Graded In

kvadrat

camira



DESIGN
TEX



Gabriel



svensson

maharam

Serge Ferrari

Catifa 53

Design by Lievore Altherr Molina, 2001

Accessories:



Stacking protection pad Art. 0228



Link Art. 0258



Trolley Art. 0760



Stacking protection pad with link Art. 2013



Basket Art. 2014



Set of glides Art. 2015



Movable link Art. 2073



Armrests BV



Armrests BV brushed stainless steel



Armrests CI - only pad

SHIPMENT DETAILS

Art.2094

1 pz = 2 - kg 11,3/ m² 0,3

4 pz = 2 - kg 34,2/ m² 0,41

TECHNICAL SPECIFICATIONS

Art.2094

COL requirement m² 0.84

H 140 cm. COM Meterage ml 0.72

RESISTANCE TEST

FIRE RETARDANT TEST

BS5852 i.s. 5 Cava 3 Soft leather Elmosoft Hallingdal 65 Pro 3 Tonus 4 • Classe 1IM Cava 3 Divina MD Divina Melange 2 Divina 3 Hallingdal 65 Pro 3 Soft leather Tonus 4 Faux leather Valencia • California TB117-2013 Cava 3 Clara Canvas Divina MD Divina Melange 2 Divina 3 Soft leather Elmosoft Field Hallingdal 65 Jet Jumper 3 Pro 3 Soft leather Pause 4 Remix 2 Savanna Steelcut 2 Scuba Steelcut Trio 2 Steelcut Trio 3 Sunniva Sunniva 2 Tonus 4 Tempo Faux leather Valencia • BS5852 Sch. 4 Part 1 Cava 3 Divina MD Divina Melange 2 Divina 3 Soft leather Elmosoft Hallingdal 65 Pro 3 Tonus 4 Faux leather Valencia • BS5852 Sch. 5 Part 1 Cava 3 Clara Canvas Divina MD Divina Melange 2 Divina 3 Soft leather Elmosoft Hallingdal 65 Soft leather Remix 2 Savanna Steelcut 2 Steelcut Trio 2 Steelcut Trio 3 Tonus 4 Faux leather Valencia • EN 1021 - 1 Divina MD Divina Melange 2 Divina 3 Soft leather Elmosoft Field Hallingdal 65 Pro 3 Soft leather • EN 1021 - 2 Divina MD Divina Melange 2 Divina 3 Soft leather Elmosoft Field Hallingdal 65 Pro 3 Soft leather

ENVIRONMENTAL CERTIFICATIONS



Stackability:

– With stacking protection pad: up to 8 pcs. (should the weight exceed 25 kilos a handling tool must be used).

– With stacking protection pad and trolley: up to 8 pcs.

VERSION WITH ARMRESTS STACKABILITY

– Up to 5 pcs. (should the weight exceed 25 kilos a handling tool must be used).

Catifa 53

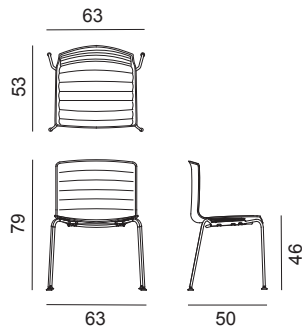
Design by Lievore Altherr Molina, 2013

Art. 3117

Chair with four-leg steel frame, available in the chromed, brushed or powdercoated version. The white polypropylene shell is upholstered with a removable non-washable cover in leather, faux leather, fabric or customer's own material. The chair is provided already fitted with the cover. Steel armrests, also upholstered, are available upon request.st.

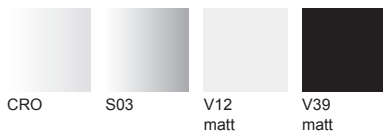


Dimensions *



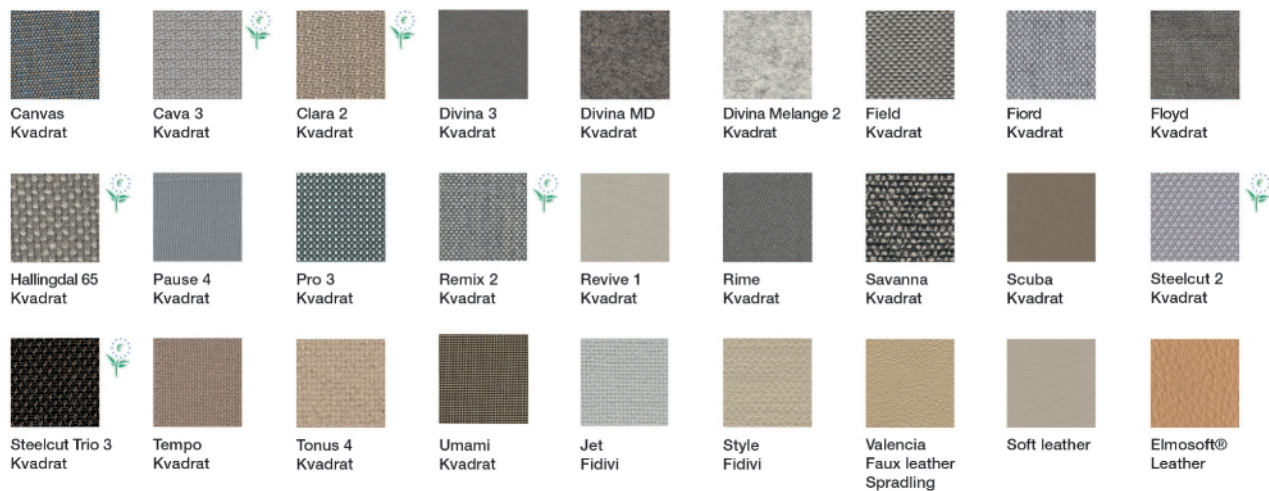
* File CAD 2D - 3D available for download at www.arper.com

Frame Base



Shell

Carded In



Graded In

kvadrat

camira



DESIGN
TEX



Gabriel



svensson

maharam

SergeFerrari

Catifa 53

Design by Lievore Altherr Molina, 2013

Accessories:



Stacking protection pad Art. 0228



Link Art. 0258



Trolley Art. 0760



Stacking protection pad with link Art. 2013



Basket Art. 2014



Set of glides Art. 2015



Movable link Art. 2073



Armrests BV



Armrests BV brushed stainless steel



Armrests CI - only pad

SHIPMENT DETAILS

Art.3117

1 pz = 2 - kg 10,5/ m² 0,3
4 pz = 2 - kg 30,94/ m² 0,41

TECHNICAL SPECIFICATIONS

Art.3117

COL requirement m² 2,09
H 140 cm. COM Meterage ml 1,23,23
The cover stitching comes in the same color as the upholstery. Stitching on cover 2 and 3 comes in white or black, to customer's choice.

RESISTANCE TEST

- EN 1728:2000 - EN 15373:2007 6.16
- EN 1728:2000 - EN 15373:2007 6.2.2
- EN 1728:2012 - EN 16139:2013 6.17
- ENV 581-2 Appendice A.3.1
- EN 1728:2000 - EN 15373:2007 6.2.1
- EN 1728:2000 - EN 15373:2007 6.7
- EN 1022:05

FIRE RETARDANT TEST

BS5852 i.s. 5 Cava 3 Soft leather Elmosoft Hallingdal 65 Pro 3 Tonus 4 • Classe 1IM Cava 3 Divina MD Divina Melange 2 Divina 3 Hallingdal 65 Pro 3 Soft leather Tonus 4 Faux leather Valencia • California TB117-2013 Cava 3 Clara Canvas Divina MD Divina Melange 2 Divina 3 Soft leather Elmosoft Field Hallingdal 65 Jet Jumper 3 Pro 3 Soft leather Pause 4 Remix 2 Savanna Steelcut 2 Scuba Steelcut Trio 2 Steelcut Trio 3 Sunniva Sunniva 2 Tonus 4 Tempo Faux leather Valencia • BS5852 Sch. 4 Part 1 Cava 3 Divina MD Divina Melange 2 Divina 3 Soft leather Elmosoft Hallingdal 65 Pro 3 Tonus 4 Faux leather Valencia • BS5852 Sch. 5 Part 1 Cava 3 Clara Canvas Divina MD Divina Melange 2 Divina 3 Soft leather Elmosoft Hallingdal 65 Soft leather Remix 2 Savanna Steelcut 2 Steelcut Trio 2 Steelcut Trio 3 Tonus 4 Faux leather Valencia • EN 1021 - 1 Divina MD Divina Melange 2 Divina 3 Soft leather Elmosoft Field Hallingdal 65 Pro 3 Soft leather • EN 1021 - 2 Divina MD Divina Melange 2 Divina 3 Soft leather Elmosoft Field Hallingdal 65 Pro 3 Soft leather

ENVIRONMENTAL CERTIFICATIONS



Stackability:

- With stacking protection pad: up to 8 pcs. (should the weight exceed 25 kilos a handling tool must be used).
 - With stacking protection pad and trolley: up to 8 pcs.
 - Soft leather - faux leather versions: max. 5 pcs. with stacking pad
- VERSION WITH ARMRESTS STACKABILITY
- Up to 5 pcs. (should the weight exceed 25 kilos a handling tool must be used).