

Catifa 53

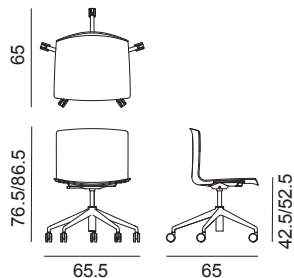
Design by Lievore Altherr Molina, 2001

Art. 0213

Chair with aluminium five star swivel base, mounted on self-braking castors and fitted with gas-lift mechanism for height adjustment. Matt polypropylene shell available in single-colour or upholstered in hard leather grade 1 (CT) or hard leather grade 2 (CU). Polypropylene and steel armrests, are available upon request.



Dimensions *



* File CAD 2D - 3D available for download at www.arper.com

Frame Base



LU1

Shell

Polypropylene



PO
Polypropylene
one color

Hard leather Grade 1 and Grade 2



CT



CU

arper

F +39 0422 791800

T +39 0422 7918

www.arper.com

Catifa 53

Design by Lievore Altherr Molina, 2001

Accessories:



Cushion Art. 0231




Armrests BV




Armrests CV - pad (only for PO)

SHIPMENT DETAILS

Art.0213

1 pz = 2  - kg 13,1/ m² 0,34

4 pz = 5  - kg 48,6/ m² 1,01

RESISTANCE TEST

- EN 1728:2000 - EN 15373:2007 6.10
- EN 1728:2000 - EN 15373:2007 6.16
- EN 1728:2000 - EN 15373:2007 6.2.1
- EN 1728:2000 - EN 15373:2007 6.5
- EN 1728:2000 - EN 15373:2007 6.7
- UNI 9084/2002
- EN 1728:2000 - EN 15373:2007 6.15
- EN 1728:2000 - EN 15373:2007 6.17
- EN 1728:2000 - EN 15373:2007 6.2.2
- EN 1728:2000 - EN 15373:2007 6.6
- EN 1728:2000 - EN 15373:2007 6.8

FIRE RETARDANT TEST

BS5852/90 Sez.5 cigarette match polypropylene • BS5852 Sch. 5 Part 1 CT CU

ENVIRONMENTAL CERTIFICATIONS



arper

F +39 0422 791800

T +39 0422 7918

www.arper.com

Catifa 53

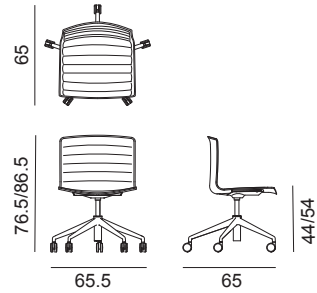
Design by Lievore Altherr Molina, 2001

Art. 0215

Chair with aluminium five-star swivel base, mounted on self-braking castors and fitted with gas height adjustment mechanism. The shell is upholstered in leather, faux leather, fabric or customer's material. Steel armrests, also upholstered, are available upon request.



Dimensions *



* File CAD 2D - 3D available for download at www.arper.com

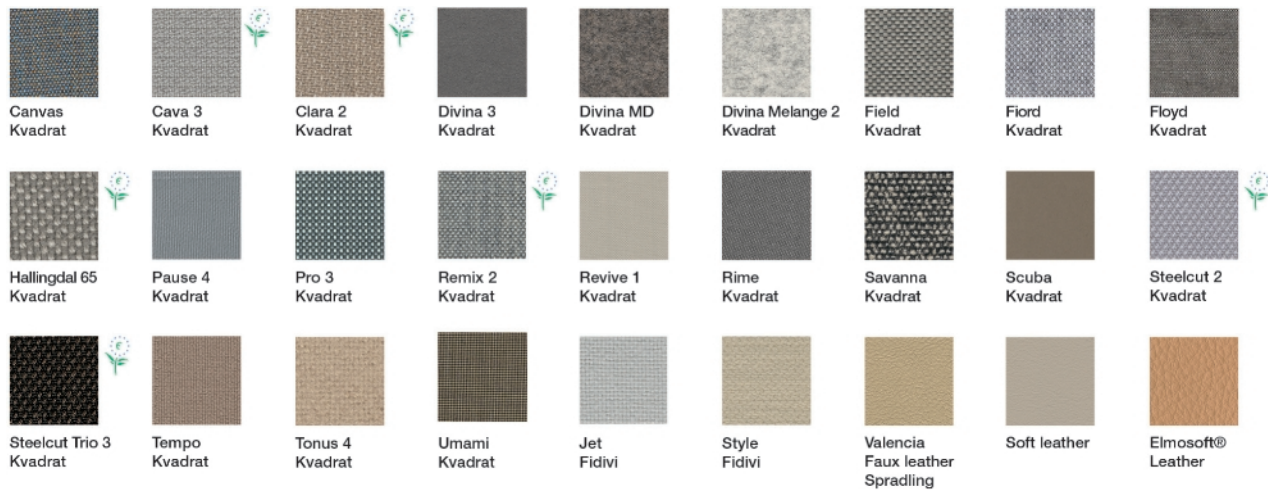
Frame Base



LU1

Shell

Carded In



Graded In

kvadrat

camira



DESIGN
TEX



Gabriel



svensson

maharam

Serge Ferrari

Catifa 53

Design by Lievore Altherr Molina, 2001



Armrests BV



Armrests CI - only pad

SHIPMENT DETAILS

Art.0215

1 pz = 2 - kg 14,1/ m² 0,34

4 pz = 5 - kg 53/ m² 1,05

TECHNICAL SPECIFICATIONS

Art.0215

COL requirement m² 1.78

H 140 cm. COM Meterage ml 1.21

Line detail stitching.

RESISTANCE TEST

- EN 1728:2000 - EN 15373:2007 6.10
- EN 1728:2000 - EN 15373:2007 6.16
- EN 1728:2000 - EN 15373:2007 6.2.1
- EN 1728:2000 - EN 15373:2007 6.5
- EN 1728:2000 - EN 15373:2007 6.7
- UNI 9084/2002

- EN 1728:2000 - EN 15373:2007 6.15
- EN 1728:2000 - EN 15373:2007 6.17
- EN 1728:2000 - EN 15373:2007 6.2.2
- EN 1728:2000 - EN 15373:2007 6.6
- EN 1728:2000 - EN 15373:2007 6.8

FIRE RETARDANT TEST

BS5852 i.s. 5 Cava 3 Soft leather Elmosoft Hallingdal 65 Pro 3 Tonus 4 • Classe 1IM Cava 3 Divina MD Divina Melange 2 Divina 3 Hallingdal 65 Pro 3 Soft leather Tonus 4 Faux leather Valencia • California TB117-2013 Cava 3 Clara Canvas Divina MD Divina Melange 2 Divina 3 Soft leather Elmosoft Field Hallingdal 65 Jet Jumper 3 Pro 3 Soft leather Pause 4 Remix 2 Savanna Steelcut 2 Scuba Steelcut Trio 2 Steelcut Trio 3 Sunniva Sunniva 2 Tonus 4 Tempo Faux leather Valencia • BS5852 Sch. 4 Part 1 Cava 3 Divina MD Divina Melange 2 Divina 3 Soft leather Elmosoft Hallingdal 65 Pro 3 Tonus 4 Faux leather Valencia • BS5852 Sch. 5 Part 1 Cava 3 Clara Canvas Divina MD Divina Melange 2 Divina 3 Soft leather Elmosoft Hallingdal 65 Soft leather Remix 2 Savanna Steelcut 2 Steelcut Trio 2 Steelcut Trio 3 Tonus 4 Faux leather Valencia • EN 1021 - 1 Divina MD Divina Melange 2 Divina 3 Soft leather Elmosoft Field Hallingdal 65 Pro 3 Soft leather • EN 1021 - 2 Divina MD Divina Melange 2 Divina 3 Soft leather Elmosoft Field Hallingdal 65 Pro 3 Soft leather

ENVIRONMENTAL CERTIFICATIONS



arper

F +39 0422 791800

T +39 0422 7918

www.arper.com

Catifa 53

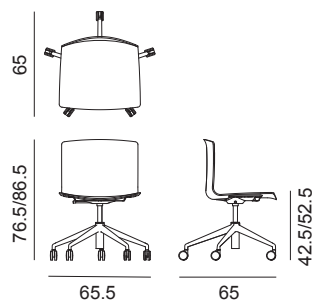
Design by Lievore Altherr Molina, 2001

Art. 0249

Chair with aluminium five-star swivel base, mounted on self-braking castors and fitted with gas height adjustment mechanism. The wood shell is available in four finishes (natural oak, bleached oak, wengé, teak). Steel armrests are available upon request.



Dimensions *



* File CAD 2D - 3D available for download at www.arper.com

Frame Base



LU1

Shell

Wood



L0020

L0021

L0022

L0023

arper

F +39 0422 791800

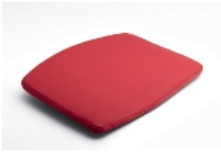
T +39 0422 7918

www.arper.com

Catifa 53

Design by Lievore Altherr Molina, 2001

Accessories:




Cushion Art. 0231




Armrests BV

SHIPMENT DETAILS

Art.0249

1 pz = 2  - kg 13,22/ m² 0,33

4 pz = 5  - kg 48,8/ m² 1

RESISTANCE TEST

ENVIRONMENTAL CERTIFICATIONS



TECHNICAL SPECIFICATIONS

FIRE RETARDANT TEST

BS5852/90 Sez.5 cigarette match LG • Classe 1 LG

arper

F +39 0422 791800

T +39 0422 7918

www.arper.com

Catifa 53

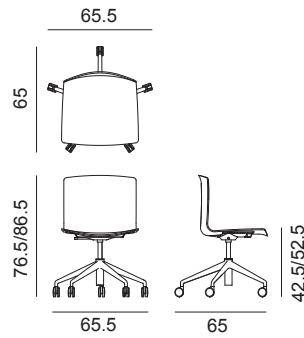
Design by Lievore Altherr Molina, 2001

Art. 2048

Chair with aluminium five-star swivel base, mounted on self-braking castors and fitted with gas height adjustment mechanism. Matt polypropylene shell with leather, faux leather, fabric or customer's material upholstery applied to the seat surface. Steel armrests, also upholstered, are available upon request.



Dimensions *



* File CAD 2D - 3D available for download at www.arper.com

Frame Base



LU1

Shell

Polypropylene



PO
Polypropylene
one color

Carded In



Canvas
Kvadrat



Cava 3
Kvadrat



Clara 2
Kvadrat



Divina 3
Kvadrat



Divina MD
Kvadrat



Divina Melange 2
Kvadrat



Field
Kvadrat



Fiord
Kvadrat



Floyd
Kvadrat



Hallingdal 65
Kvadrat



Pause 4
Kvadrat



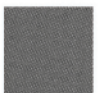
Pro 3
Kvadrat



Remix 2
Kvadrat



Revive 1
Kvadrat



Rime
Kvadrat



Savanna
Kvadrat



Scuba
Kvadrat



Steelcut 2
Kvadrat



Steelcut Trio 3
Kvadrat



Tempo
Kvadrat



Tonus 4
Kvadrat



Umami
Kvadrat



Jet
Fidivi



Style
Fidivi



Valencia
Faux leather
Spradling



Soft leather



Elmosoft®
Leather

Graded In

kvadrat

camira



DESIGN
TEX



Gabriel



svensson

maharam

Serge Ferrari

Catifa 53

Design by Lievore Altherr Molina, 2001



Armrests BV



Armrests CI - only pad

SHIPMENT DETAILS

Art.2048

1 pz = 2 - kg 14,9/ m² 0,34

4 pz = 5 - kg 56,28/ m² 1,05

RESISTANCE TEST

- EN 1728:2000 - EN 15373:2007 6.10
- EN 1728:2000 - EN 15373:2007 6.16
- EN 1728:2000 - EN 15373:2007 6.2.1
- EN 1728:2000 - EN 15373:2007 6.5
- EN 1728:2000 - EN 15373:2007 6.7
- UNI 9084/2002

- EN 1728:2000 - EN 15373:2007 6.15
- EN 1728:2000 - EN 15373:2007 6.17
- EN 1728:2000 - EN 15373:2007 6.2.2
- EN 1728:2000 - EN 15373:2007 6.6
- EN 1728:2000 - EN 15373:2007 6.8

TECHNICAL SPECIFICATIONS

Art.2048

COL requirement m² 0.84

H 140 cm. COM Meterage ml 0.72

FIRE RETARDANT TEST

BS5852 i.s. 5 Cava 3 Soft leather Elmosoft Hallingdal 65 Pro 3 Tonus 4 • Classe 1IM Cava 3 Divina MD Divina Melange 2 Divina 3 Hallingdal 65 Pro 3 Soft leather Tonus 4 Faux leather Valencia • California TB117-2013 Cava 3 Clara Canvas Divina MD Divina Melange 2 Divina 3 Soft leather Elmosoft Field Hallingdal 65 Jet Jumper 3 Pro 3 Soft leather Pause 4 Remix 2 Savanna Steelcut 2 Scuba Steelcut Trio 2 Steelcut Trio 3 Sunniva Sunniva 2 Tonus 4 Tempo Faux leather Valencia • BS5852 Sch. 4 Part 1 Cava 3 Divina MD Divina Melange 2 Divina 3 Soft leather Elmosoft Hallingdal 65 Pro 3 Tonus 4 Faux leather Valencia • BS5852 Sch. 5 Part 1 Cava 3 Clara Canvas Divina MD Divina Melange 2 Divina 3 Soft leather Elmosoft Hallingdal 65 Soft leather Remix 2 Savanna Steelcut 2 Steelcut Trio 2 Steelcut Trio 3 Tonus 4 Faux leather Valencia • EN 1021 - 1 Divina MD Divina Melange 2 Divina 3 Soft leather Elmosoft Field Hallingdal 65 Pro 3 Soft leather • EN 1021 - 2 Divina MD Divina Melange 2 Divina 3 Soft leather Elmosoft Field Hallingdal 65 Pro 3 Soft leather

ENVIRONMENTAL CERTIFICATIONS



arper

F +39 0422 791800

T +39 0422 7918

www.arper.com

Catifa 53

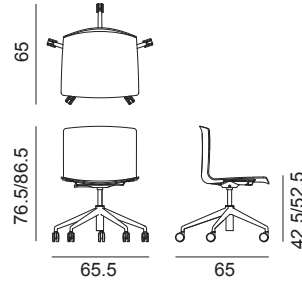
Design by Lievore Altherr Molina, 2001

Art. 3107

Chair with aluminium five star swivel base, mounted on self-braking castors and fitted with gas-lift height adjustment mechanism. Double curved wood shell available in four finishes (natural oak, bleached oak, wengé, teak) with front upholstery in leather, faux leather, fabric or customer's material. Steel armrests, also upholstered, are available upon request.



Dimensions *



* File CAD 2D - 3D available for download at www.arper.com

Frame Base



LU1

Shell

Wood



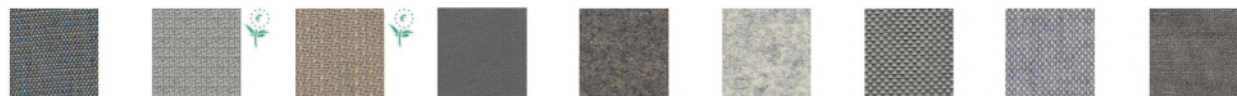
L0020

L0021

L0022

L0023

Carded In



Canvas Kvadrat

Cava 3 Kvadrat

Clara 2 Kvadrat

Divina 3 Kvadrat

Divina MD Kvadrat

Divina Melange 2 Kvadrat

Field Kvadrat

Fiord Kvadrat

Floyd Kvadrat



Hallingdal 65 Kvadrat

Pause 4 Kvadrat

Pro 3 Kvadrat

Remix 2 Kvadrat

Revive 1 Kvadrat

Rime Kvadrat

Savanna Kvadrat

Scuba Kvadrat

Steelcut 2 Kvadrat



Steelcut Trio 3 Kvadrat

Tempo Kvadrat

Tonus 4 Kvadrat

Umami Kvadrat

Jet Fidivi

Style Fidivi

Valencia Faux leather Spradling

Soft leather

Elmosoft® Leather

Graded In

kvadrat

camira



DESIGN
TEX



Gabriel



svensson

maharam

Serge Ferrari

Catifa 53

Design by Lievore Altherr Molina, 2001



Armrests BV



Armrests CI - only pad

SHIPMENT DETAILS

Art.3107

1 pz = 2 - kg 14,9/ m² 0,34

4 pz = 5 - kg 56,28/ m² 1,05

TECHNICAL SPECIFICATIONS

Art.3107

COL requirement m² 0.84

H 140 cm. COM Meterage ml 0.72

RESISTANCE TEST

FIRE RETARDANT TEST

BS5852 i.s. 5 Cava 3 Soft leather Elmosoft Hallingdal 65 Pro 3 Tonus 4 • Classe 11M Cava 3 Divina MD Divina Melange 2 Divina 3 Hallingdal 65 Pro 3 Soft leather Tonus 4 Faux leather Valencia • California TB117-2013 Cava 3 Clara Canvas Divina MD Divina Melange 2 Divina 3 Soft leather Elmosoft Field Hallingdal 65 Jet Jumper 3 Pro 3 Soft leather Pause 4 Remix 2 Savanna Steelcut 2 Scuba Steelcut Trio 2 Steelcut Trio 3 Sunniva Sunniva 2 Tonus 4 Tempo Faux leather Valencia • BS5852 Sch. 4 Part 1 Cava 3 Divina MD Divina Melange 2 Divina 3 Soft leather Elmosoft Hallingdal 65 Pro 3 Tonus 4 Faux leather Valencia • BS5852 Sch. 5 Part 1 Cava 3 Clara Canvas Divina MD Divina Melange 2 Divina 3 Soft leather Elmosoft Hallingdal 65 Soft leather Remix 2 Savanna Steelcut 2 Steelcut Trio 2 Steelcut Trio 3 Tonus 4 Faux leather Valencia • EN 1021 - 1 Divina MD Divina Melange 2 Divina 3 Soft leather Elmosoft Field Hallingdal 65 Pro 3 Soft leather • EN 1021 - 2 Divina MD Divina Melange 2 Divina 3 Soft leather Elmosoft Field Hallingdal 65 Pro 3 Soft leather

ENVIRONMENTAL CERTIFICATIONS



arper

F +39 0422 791800

T +39 0422 7918

www.arper.com

Catifa 53

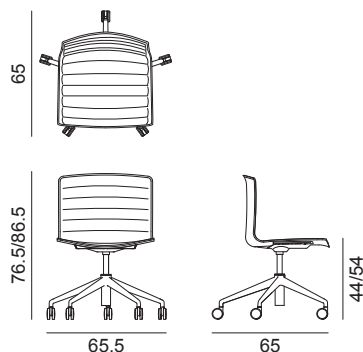
Design by Lievore Altherr Molina, 2013

Art. 3128

Chair with aluminium five-star swivel base, mounted on self-braking castors and fitted with gas height adjustment mechanism. The white polypropylene shell is upholstered with a removable non-washable cover in leather, faux leather, fabric or customer's own material. The chair is provided already fitted with the cover. Steel armrests, also upholstered, are available upon request.



Dimensions *



* File CAD 2D - 3D available for download at www.arper.com

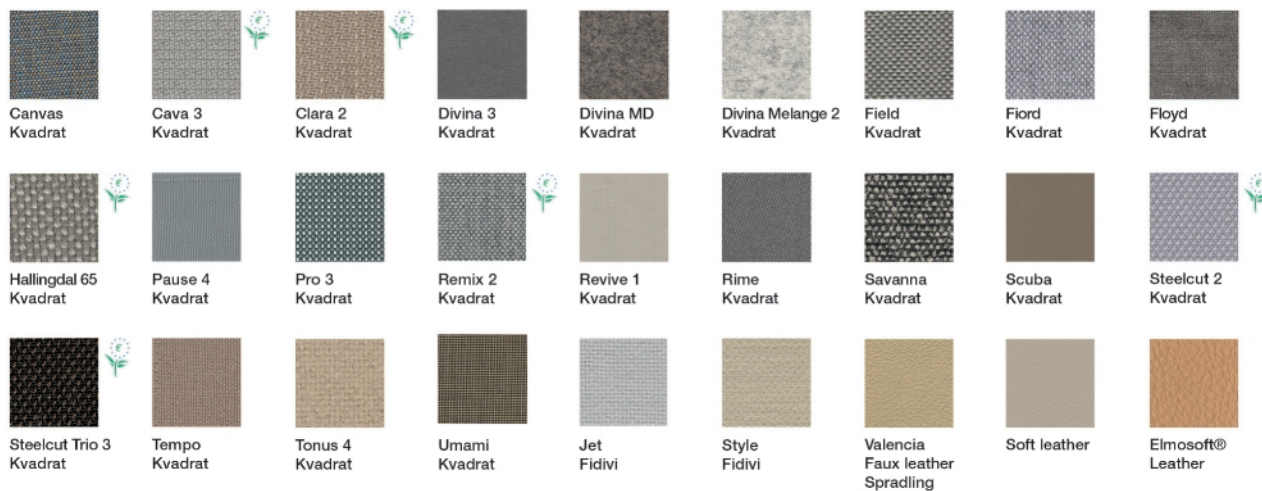
Frame Base



LU1

Shell

Carded In



Graded In

kvadrat

camira



DESIGN
TEX



Gabriel



svensson

maharam

Serge Ferrari

Catifa 53

Design by Lievore Altherr Molina, 2013




Armrests BV



Armrests CI - only pad

SHIPMENT DETAILS

Art.3128

1 pz = 2  - kg 14,1/ m² 0,34

4 pz = 5  - kg 53/ m² 1,05

TECHNICAL SPECIFICATIONS

Art.3128

COL requirement m² 2,09

H 140 cm. COM Meterage ml 1,23

The cover stitching comes in the same color as the upholstery. Stitching on cover 1 and 3 comes in white or black, to customer's choice.

RESISTANCE TEST

- EN 1728:2000 - EN 15373:2007 6.10
- EN 1728:2000 - EN 15373:2007 6.16
- EN 1728:2000 - EN 15373:2007 6.2.1
- EN 1728:2000 - EN 15373:2007 6.5
- EN 1728:2000 - EN 15373:2007 6.7
- UNI 9084/2002

- EN 1728:2000 - EN 15373:2007 6.15
- EN 1728:2000 - EN 15373:2007 6.17
- EN 1728:2000 - EN 15373:2007 6.2.2
- EN 1728:2000 - EN 15373:2007 6.6
- EN 1728:2000 - EN 15373:2007 6.8

FIRE RETARDANT TEST

BS5852 i.s. 5 Cava 3 Soft leather Elmosoft Hallingdal 65 Pro 3 Tonus 4 • Classe 1IM Cava 3 Divina MD Divina Melange 2 Divina 3 Hallingdal 65 Pro 3 Soft leather Tonus 4 Faux leather Valencia • California TB117-2013 Cava 3 Clara Canvas Divina MD Divina Melange 2 Divina 3 Soft leather Elmosoft Field Hallingdal 65 Jet Jumper 3 Pro 3 Soft leather Pause 4 Remix 2 Savanna Steelcut 2 Scuba Steelcut Trio 2 Steelcut Trio 3 Sunniva Sunniva 2 Tonus 4 Tempo Faux leather Valencia • BS5852 Sch. 4 Part 1 Cava 3 Divina MD Divina Melange 2 Divina 3 Soft leather Elmosoft Hallingdal 65 Pro 3 Tonus 4 Faux leather Valencia • BS5852 Sch. 5 Part 1 Cava 3 Clara Canvas Divina MD Divina Melange 2 Divina 3 Soft leather Elmosoft Hallingdal 65 Soft leather Remix 2 Savanna Steelcut 2 Steelcut Trio 2 Steelcut Trio 3 Tonus 4 Faux leather Valencia • EN 1021 - 1 Divina MD Divina Melange 2 Divina 3 Soft leather Elmosoft Field Hallingdal 65 Pro 3 Soft leather • EN 1021 - 2 Divina MD Divina Melange 2 Divina 3 Soft leather Elmosoft Field Hallingdal 65 Pro 3 Soft leather

ENVIRONMENTAL CERTIFICATIONS



arper

F +39 0422 791800

T +39 0422 7918

www.arper.com