

Catifa Sensit Lounge

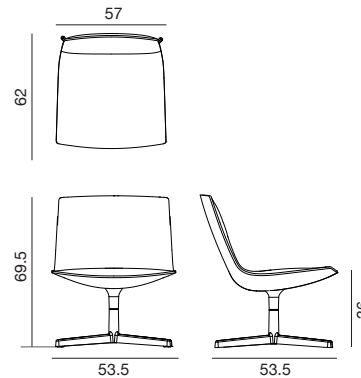
Design by Lievore Altherr Molina, 2014

Art. 4915

Lounge chair with polished or powdercoated aluminum 4 way pedestal base. Shell with low backrest, entirely upholstered in leather, customer's leather, faux leather, fabric or customer's fabric and fitted with self-tensioning weight response mechanism. Aluminium armrests are offered in the same finishes of the base (BI) or upholstered (BR).

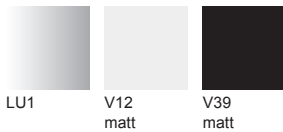


Dimensions *



* File CAD 2D - 3D available for download at www.arper.com

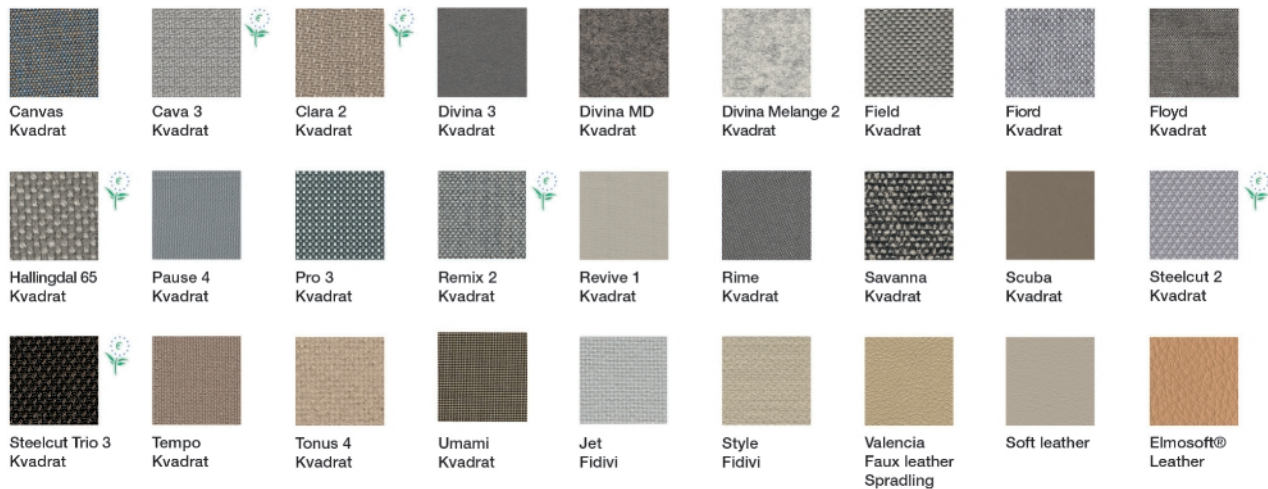
Frame Base



arper

Shell

Carded In



Graded In

kvadrat

camira



DESIGN
TEX



Gabriel



svensson

maharam

Serge Ferrari

Catifa Sensit Lounge


Design by Lievore Altherr Molina, 2014



Armrest BI

SHIPMENT DETAILS

Art.4915

1 pz = 1  - kg 23,96/ m³ 0,592

TECHNICAL SPECIFICATIONS

Art.4915

COL requirement m² 1.98

H 140 cm. COM Meterage ml 1.38.

Armrests BR: COL requirement m² 0.95

H 140 cm. COM Meterage ml 0.77

RESISTANCE TEST

FIRE RETARDANT TEST

California TB117-2013 Cava 3 Clara Canvas Divina MD Divina Melange 2 Divina 3 Soft leather Elmosoft Field Hallingdal 65 Jet Jumper 3 Pro 3 Soft leather Pause 4 Remix 2 Savanna Steelcut 2 Scuba Steelcut Trio 2 Steelcut Trio 3 Sunniva Sunniva 2 Tonus 4 Tempo Faux leather Valencia • BS5852 Sch. 5 Part 1 Cava 3 Clara Canvas Divina MD Divina Melange 2 Divina 3 Soft leather Elmosoft Hallingdal 65 Soft leather Remix 2 Savanna Steelcut 2 Steelcut Trio 2 Steelcut Trio 3 Tonus 4 Faux leather Valencia

ENVIRONMENTAL CERTIFICATIONS



arper

F +39 0422 791800

T +39 0422 7918

www.arper.com