

Colina L

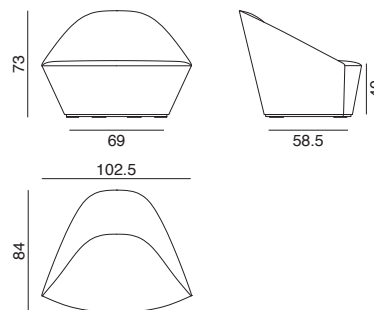
Design by Lievore Altherr Molina, 2014

Art. 4302 4309

Armchair with plywood frame fully upholstered in fabric, leather, faux leather or customer's own material. The version with removable cover is available upon request. It is provided with glides with felt insert for wood floors.

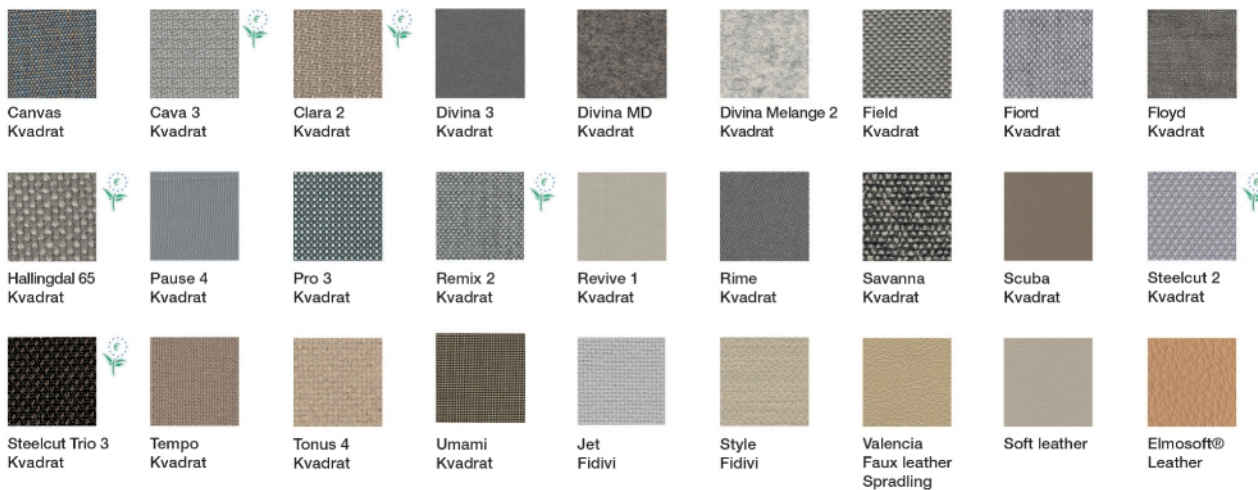


Dimensions *



* File CAD 2D - 3D available for download at www.arper.com

Carded In



Graded In

kvadrat

camira



DESIGN
TEX



Gabriel



svensson

maharam


Serge Ferrari

Colina L

Design by Lievore Altherr Molina, 2014

SHIPMENT DETAILS

Art.4302

1 pz = 1  - kg 43,96/ m³ 0,84

1 pz = 1  - kg 5/ m³ 0,04

TECHNICAL SPECIFICATIONS

Art.4302

COL requirement m² 6.12

H 140 cm. COM Meterage ml 3.91

RESISTANCE TEST

FIRE RETARDANT TEST

Classe 1IM Divina MD Divina Melange 2 Divina 3

ENVIRONMENTAL CERTIFICATIONS



arper

F +39 0422 791800

T +39 0422 7918

www.arper.com