

Duna 02

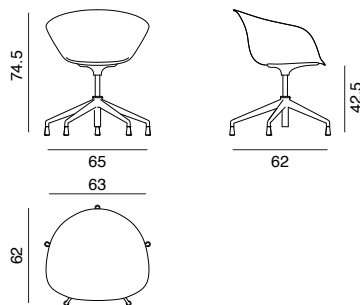
Design by Lievore Altherr Molina, 2014

Art. 4208

Chair with polished aluminium five-star base, fitted with return mechanism.
Polypropylene shell available in six colors.



Dimensions *



* File CAD 2D - 3D available for download at www.arper.com

Frame Base



LU1

Shell

Polypropylene



PP0001



PP0001



PP0001



PP0001



PP0001

arper

F +39 0422 791800

T +39 0422 7918


www.arper.com


Duna 02

Design by Lievore Altherr Molina, 2014

SHIPMENT DETAILS

Art.4208

1 pz = 2  - kg 18,33/ m³ 0,41

4 pz = 2  - kg 65,6/ m³ 1,14

RESISTANCE TEST

FIRE RETARDANT TEST

ENVIRONMENTAL CERTIFICATIONS



arper

F +39 0422 791800

T +39 0422 7918

www.arper.com

Duna 02

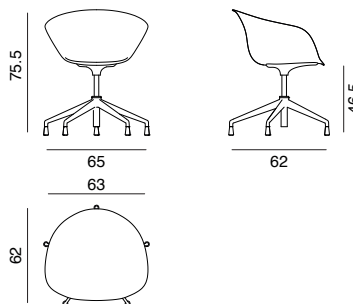
Design by Lievore Altherr Molina, 2014

Art. 4218

Chair with polished aluminium five-star base, fitted with return mechanism. Polypropylene shell available in six colors, with front upholstery in leather, faux leather, fabric or customer's own material.



Dimensions *



* File CAD 2D - 3D available for download at www.arper.com

Frame Base



LU1

Shell

Polypropylene



PP0001 PP0001 PP0001 PP0001 PP0001 PP0001

Carded In



Graded In

kvadrat

camira



DESIGN
TEX



Gabriel



svensson

maharam


Serge Ferrari


Duna 02

Design by Lievore Altherr Molina, 2014

SHIPMENT DETAILS

Art.4218

1 pz = 2  - kg 18,33/ m³ 0,41

4 pz = 2  - kg 65,6/ m³ 1,14

TECHNICAL SPECIFICATIONS

Art.4218

COL requirement m² 1.44

H 140 cm. COM Meterage ml 1.05

RESISTANCE TEST

FIRE RETARDANT TEST

Classe 1M Cava 3 Field

ENVIRONMENTAL CERTIFICATIONS



arper

F +39 0422 791800

T +39 0422 7918

www.arper.com

Duna 02

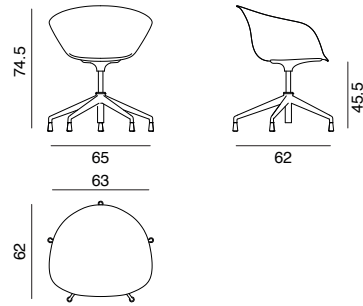
Design by Lievore Altherr Molina, 2014

Art. 4228

Chair with polished aluminium five-star base, fitted with return mechanism. Polypropylene shell available in six colors, with cushion in leather, faux leather, fabric or customer's own material applied on the seat surface.



Dimensions *



* File CAD 2D - 3D available for download at www.arper.com

Frame Base



LU1

Shell

Polypropylene



PP0001 PP0001 PP0001 PP0001 PP0001 PP0001

Carded In



Graded In

kvadrat

camira



DESIGN
TEX



Gabriel



svensson

maharam


Serge Ferrari


Duna 02

Design by Lievore Altherr Molina, 2014

SHIPMENT DETAILS

Art.4228

1 pz = 2  - kg 18,33/ m³ 0,41

4 pz = 2  - kg 65,6/ m³ 1,14

TECHNICAL SPECIFICATIONS

Art.4228

COL requirement m² 0.56

H 140 cm. COM Meterage ml 0.55

RESISTANCE TEST

FIRE RETARDANT TEST

Classe 1M Cava 3 Field

ENVIRONMENTAL CERTIFICATIONS



arper

F +39 0422 791800

T +39 0422 7918

www.arper.com

Duna 02

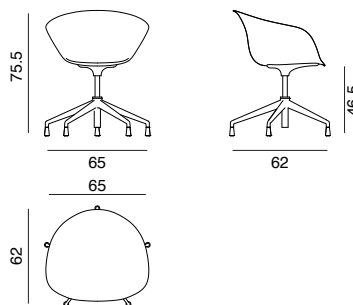
Design by Lievore Altherr Molina, 2014

Art. 4238

Chair with polished aluminium five-star base, fitted with return mechanism. Shell fully upholstered in leather, faux leather, fabric or customer's own material.



Dimensions *



* File CAD 2D - 3D available for download at www.arper.com

Frame Base



LU1

Shell

Carded In



Graded In

kvadrat

camira



DESIGN
TEX



Gabriel



svensson

maharam


Serge Ferrari


Duna 02

Design by Lievore Altherr Molina, 2014

SHIPMENT DETAILS

Art.4238

1 pz = 2  - kg 18,33/ m³ 0,41

4 pz = 2  - kg 65,6/ m³ 1,14

TECHNICAL SPECIFICATIONS

Art.4238

COL requirement m² 2.66

H 140 cm. COM Meterage ml 1.72

RESISTANCE TEST

FIRE RETARDANT TEST

ENVIRONMENTAL CERTIFICATIONS



arper

F +39 0422 791800

T +39 0422 7918

www.arper.com