

# Duna 02

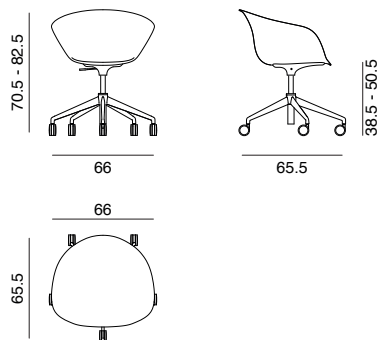
Design by Lievore Altherr Molina, 2014

## Art. 4209

Chair with polished aluminium five-star base, mounted on self braking castors and fitted with gas mechanism. Polypropylene shell available in six colors.



### Dimensions \*



\* File CAD 2D - 3D available for download at [www.arper.com](http://www.arper.com)

### Frame Base



LU1

### Shell

#### Polypropylene



PP0001



PP0001



PP0001



PP0001



PP0001

arper

F +39 0422 791800

T +39 0422 7918

[www.arper.com](http://www.arper.com)


# Duna 02


Design by Lievore Altherr Molina, 2014

---

## SHIPMENT DETAILS

### Art.4209

1 pz = 2  - kg 19,08/ m³ 0,41

4 pz = 2  - kg 68,6/ m³ 1,14

## RESISTANCE TEST

- EN 1728:2012 - EN 16139:2013 610
- EN 1728:2012 - EN 16139:2013 617
- EN 1728:2012 - EN 16139:2013 620
- EN 1728:2012 - EN 16139:2013 626
- EN 1728:2012 - EN 16139:2013 6 5

- EN 1728:2012 - EN 16139:2013 611
- EN 1728:2012 - EN 16139:2013 618
- EN 1728:2012 - EN 16139:2013 625
- EN 1728:2012 - EN 16139:2013 6 4

## FIRE RETARDANT TEST

## ENVIRONMENTAL CERTIFICATIONS



arper

F +39 0422 791800

T +39 0422 7918

www.arper.com

# Duna 02

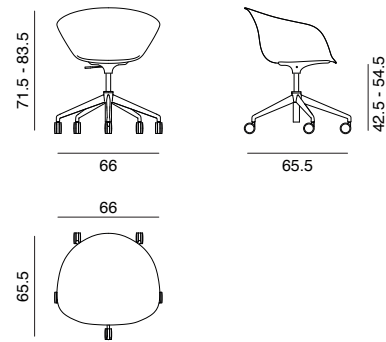
Design by Lievore Altherr Molina, 2014

## Art. 4219

Chair with polished aluminium five-star base, mounted on self braking castors and fitted with gas mechanism. Polypropylene shell available in six colors, with front upholstery in leather, faux leather, fabric or customer's own material.



### Dimensions \*



\* File CAD 2D - 3D available for download at [www.arper.com](http://www.arper.com)

### Frame Base



LU1

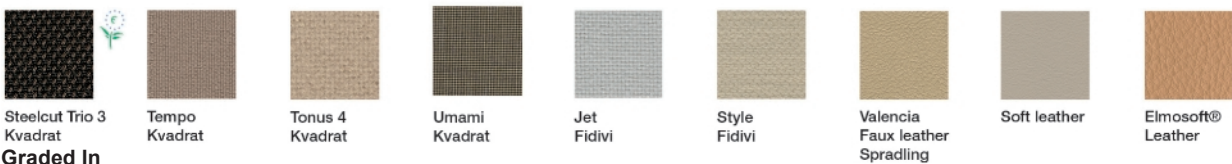
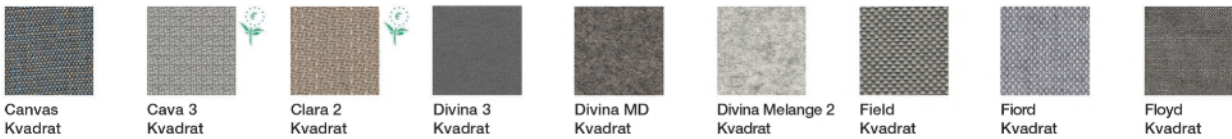
### Shell

#### Polypropylene



PP0001 PP0001 PP0001 PP0001 PP0001 PP0001

#### Carded In



#### Graded In



arper

F +39 0422 791800

T +39 0422 7918

www.arper.com


# Duna 02


Design by Lievore Altherr Molina, 2014

---

## SHIPMENT DETAILS

### Art.4219

1 pz = 2  - kg 19,08/ m³ 0,41

4 pz = 2  - kg 68,6/ m³ 1,14

---

## TECHNICAL SPECIFICATIONS

### Art.4219

COL requirement m² 1.44

H 140 cm. COM Meterage ml 1.05

---

## RESISTANCE TEST

- EN 1728:2012 - EN 16139:2013 610
- EN 1728:2012 - EN 16139:2013 617
- EN 1728:2012 - EN 16139:2013 620
- EN 1728:2012 - EN 16139:2013 626
- EN 1728:2012 - EN 16139:2013 6 5

- EN 1728:2012 - EN 16139:2013 611
- EN 1728:2012 - EN 16139:2013 618
- EN 1728:2012 - EN 16139:2013 625
- EN 1728:2012 - EN 16139:2013 6 4

---

## FIRE RETARDANT TEST

Classe 1IM Cava 3 Field

---

## ENVIRONMENTAL CERTIFICATIONS



arper

F +39 0422 791800

T +39 0422 7918

www.arper.com

# Duna 02

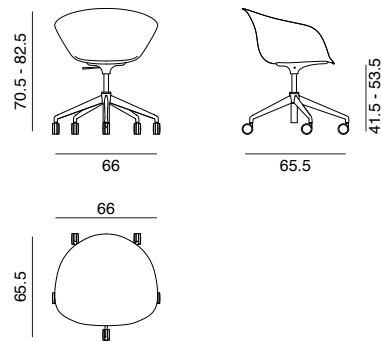
Design by Lievore Altherr Molina, 2014

## Art. 4229

Chair with polished aluminium five-star base, mounted on self braking castors and fitted with gas mechanism. Polypropylene shell available in six colors, with cushion in leather, faux leather, fabric or customer's own material applied on the seat surface.



### Dimensions \*



\* File CAD 2D - 3D available for download at [www.arper.com](http://www.arper.com)

### Frame Base



LU1

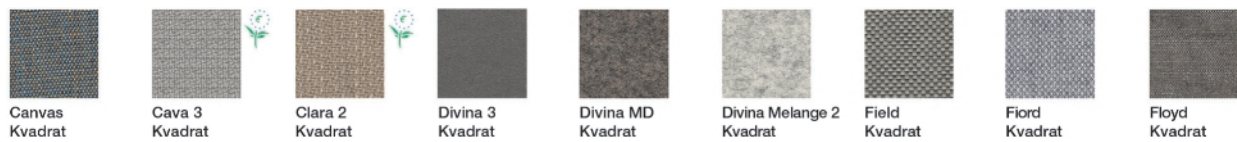
### Shell

#### Polypropylene



PP0001 PP0001 PP0001 PP0001 PP0001 PP0001

#### Carded In



Canvas Kvadrat Cava 3 Kvadrat Clara 2 Kvadrat Divina 3 Kvadrat Divina MD Kvadrat Divina Melange 2 Kvadrat Field Kvadrat Fiord Kvadrat Floyd Kvadrat



Hallingdal 65 Kvadrat Pause 4 Kvadrat Pro 3 Kvadrat Remix 2 Kvadrat Revive 1 Kvadrat Rime Kvadrat Savanna Kvadrat Scuba Kvadrat Steelcut 2 Kvadrat



Steelcut Trio 3 Kvadrat Tempo Kvadrat Tonus 4 Kvadrat Umami Kvadrat Jet Fidivi Style Fidivi Valencia Faux leather Spradling Soft leather Elmosoft® Leather

#### Graded In

**kvadrat**

**camira**



DESIGN  
TEX



**Gabriel**



**svensson**

**maharam**

**Serge Ferrari**


# Duna 02


Design by Lievore Altherr Molina, 2014

---

## SHIPMENT DETAILS

### Art.4229

1 pz = 2  - kg 19,08/ m³ 0,41

4 pz = 2  - kg 68,6/ m³ 1,14

---

## TECHNICAL SPECIFICATIONS

### Art.4229

COL requirement m² 0.56

H 140 cm. COM Meterage ml 0.55

---

## RESISTANCE TEST

- EN 1728:2012 - EN 16139:2013 610
- EN 1728:2012 - EN 16139:2013 617
- EN 1728:2012 - EN 16139:2013 620
- EN 1728:2012 - EN 16139:2013 626
- EN 1728:2012 - EN 16139:2013 6 5

- EN 1728:2012 - EN 16139:2013 611
- EN 1728:2012 - EN 16139:2013 618
- EN 1728:2012 - EN 16139:2013 625
- EN 1728:2012 - EN 16139:2013 6 4

---

## FIRE RETARDANT TEST

Classe 1IM Cava 3 Field

---

## ENVIRONMENTAL CERTIFICATIONS



arper

F +39 0422 791800

T +39 0422 7918

www.arper.com

# Duna 02

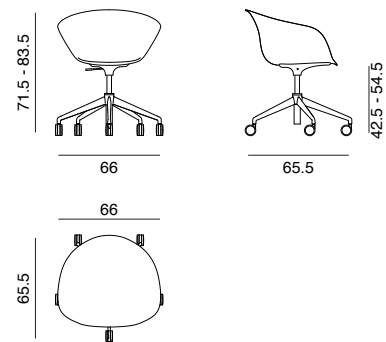
Design by Lievore Altherr Molina, 2014

## Art. 4239

Chair with polished aluminium five-star base, mounted on self braking castors and fitted with gas mechanism. Shell fully upholstered in leather, faux leather, fabric or customer's own material.



### Dimensions \*



\* File CAD 2D - 3D available for download at [www.arper.com](http://www.arper.com)

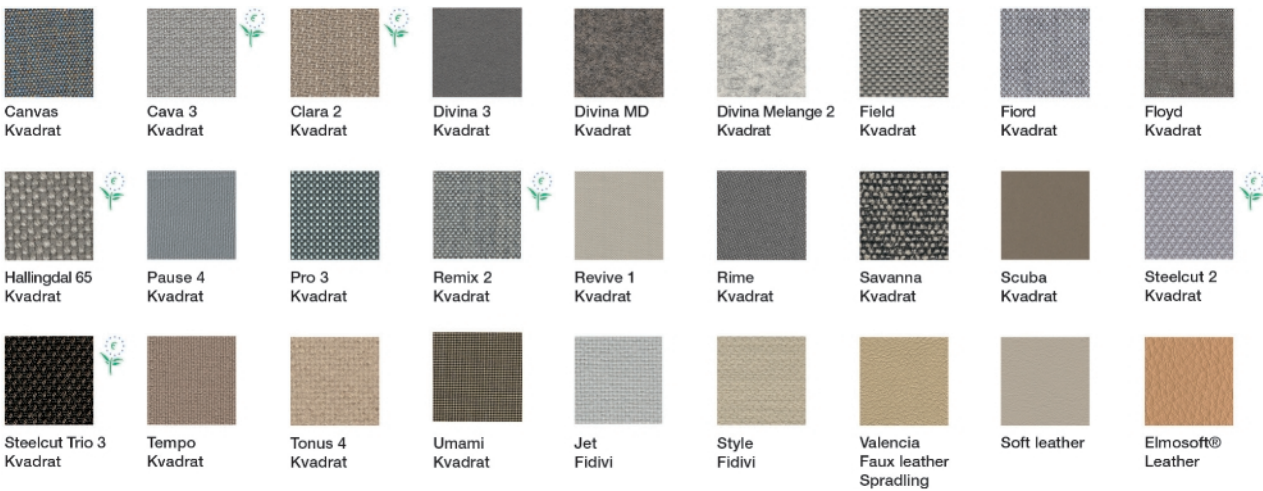
### Frame Base



LU1

### Shell

#### Carded In



#### Graded In

**kvadrat**

**camira**



DESIGN  
TEX



**Gabriel**



**svensson**

**maharam**

**SergeFerrari**


# Duna 02


Design by Lievore Altherr Molina, 2014

---

## SHIPMENT DETAILS

### Art.4239

1 pz = 2  - kg 19,08/ m³ 0,41

4 pz = 2  - kg 68,6/ m³ 1,14

## TECHNICAL SPECIFICATIONS

### Art.4239

COL requirement m² 2.66

H 140 cm. COM Meterage ml 1.72

## RESISTANCE TEST

- EN 1728:2012 - EN 16139:2013 610
- EN 1728:2012 - EN 16139:2013 617
- EN 1728:2012 - EN 16139:2013 620
- EN 1728:2012 - EN 16139:2013 626
- EN 1728:2012 - EN 16139:2013 6 5

- EN 1728:2012 - EN 16139:2013 611
- EN 1728:2012 - EN 16139:2013 618
- EN 1728:2012 - EN 16139:2013 625
- EN 1728:2012 - EN 16139:2013 6 4

## FIRE RETARDANT TEST

## ENVIRONMENTAL CERTIFICATIONS



arper

F +39 0422 791800

T +39 0422 7918

www.arper.com