

Duna 02

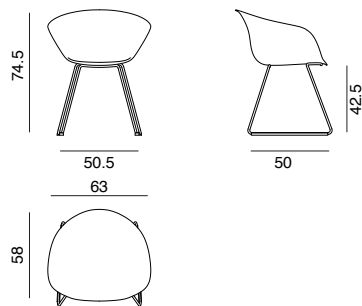
Design by Lievore Altherr Molina, 2014

Art. 4200

Chair with chromed or powdercoated steel sled base and polypropylene shell available in six colours. Glides for wooden floors available upon request without surcharge.

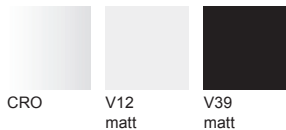


Dimensions *



* File CAD 2D - 3D available for download at www.arper.com

Frame Base



Shell

Polypropylene



arper

F +39 0422 791800

T +39 0422 7918


www.arper.com


Duna 02

Design by Lievore Altherr Molina, 2014

SHIPMENT DETAILS

Art.4200

1 pz = 2  - kg 12,04/ m³ 0,36

4 pz = 2  - kg 40,44/ m³ 0,47

TECHNICAL SPECIFICATIONS

Art.4200

Frame base finishes: indoor use only

RESISTANCE TEST

- EN 1728:2012 - EN 16139:2013 610
- EN 1728:2012 - EN 16139:2013 615
- EN 1728:2012 - EN 16139:2013 617
- EN 1728:2012 - EN 16139:2013 620
- EN 1728:2012 - EN 16139:2013 625
- EN 1728:2012 - EN 16139:2013 6 4
- EN 1022:05

- EN 1728:2012 - EN 16139:2013 611
- EN 1728:2012 - EN 16139:2013 616
- EN 1728:2012 - EN 16139:2013 618
- EN 1728:2012 - EN 16139:2013 624
- EN 1728:2012 - EN 16139:2013 626
- EN 1728:2012 - EN 16139:2013 6 5

FIRE RETARDANT TEST

ENVIRONMENTAL CERTIFICATIONS



arper

F +39 0422 791800

T +39 0422 7918

www.arper.com

Duna 02

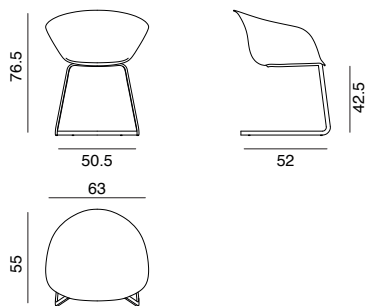
Design by Lievore Altherr Molina, 2014

Art. 4204

Chair with chromed steel cantilever base and with polypropylene shell available in six colors.



Dimensions *



* File CAD 2D - 3D available for download at www.arper.com

Frame Base



CRO

Shell

Polypropylene



PP0001



PP0001



PP0001



PP0001



PP0001

PP0001

arper

F +39 0422 791800

T +39 0422 7918


www.arper.com


Duna 02

Design by Lievore Altherr Molina, 2014

SHIPMENT DETAILS

Art.4204

1 pz = 2  - kg 12,04/ m³ 0,36

4 pz = 2  - kg 40,44/ m³ 0,47

RESISTANCE TEST

FIRE RETARDANT TEST

ENVIRONMENTAL CERTIFICATIONS



arper

F +39 0422 791800

T +39 0422 7918

www.arper.com

Duna 02

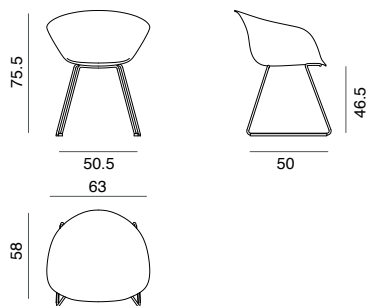
Design by Lievore Altherr Molina, 2014

Art. 4210

Chair with chromed or powdercoated steel sled base and polypropylene shell available in six colors, with front upholstery in leather, faux leather, fabric or customer's own material. Glides for wooden floors available upon request without surcharge.



Dimensions *



* File CAD 2D - 3D available for download at www.arper.com

Frame Base

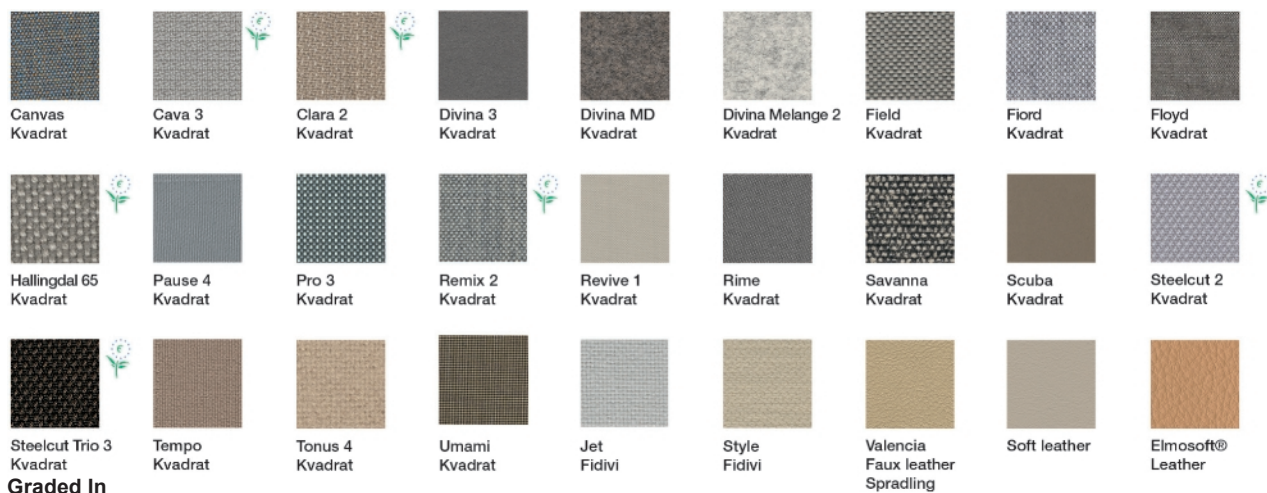


Shell

Polypropylene



Carded In



Graded In

kvadrat

camira



DESIGN
TEX



Gabriel



svensson

maharam


Serge Ferrari


Duna 02

Design by Lievore Altherr Molina, 2014

SHIPMENT DETAILS

Art.4210

1 pz = 2  - kg 12,04/ m³ 0,36

4 pz = 2  - kg 40,44/ m³ 0,47

TECHNICAL SPECIFICATIONS

Art.4210

COL requirement m² 1.44

H 140 cm. COM Meterage ml 1.05

Frame base finishes: indoor use only

RESISTANCE TEST

- EN 1728:2012 - EN 16139:2013 610
- EN 1728:2012 - EN 16139:2013 615
- EN 1728:2012 - EN 16139:2013 617
- EN 1728:2012 - EN 16139:2013 620
- EN 1728:2012 - EN 16139:2013 625
- EN 1728:2012 - EN 16139:2013 6 4
- EN 1022:05
- EN 1728:2012 - EN 16139:2013 611
- EN 1728:2012 - EN 16139:2013 616
- EN 1728:2012 - EN 16139:2013 618
- EN 1728:2012 - EN 16139:2013 624
- EN 1728:2012 - EN 16139:2013 626
- EN 1728:2012 - EN 16139:2013 6 5

FIRE RETARDANT TEST

Classe 1IM Cava 3 Field

ENVIRONMENTAL CERTIFICATIONS



arper

F +39 0422 791800

T +39 0422 7918

www.arper.com

Duna 02

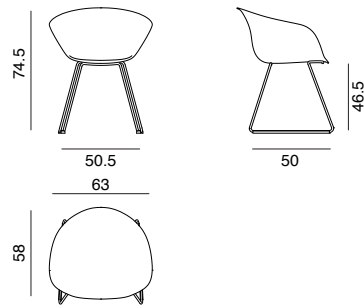
Design by Lievore Altherr Molina, 2014

Art. 4220

Chair with chromed or powdercoated steel sled base and polypropylene shell available in six colors, with cushion in leather, faux leather, fabric or customer's own material applied on the seat surface. Glides for wooden floors available upon request without surcharge.



Dimensions *



* File CAD 2D - 3D available for download at www.arper.com

Frame Base

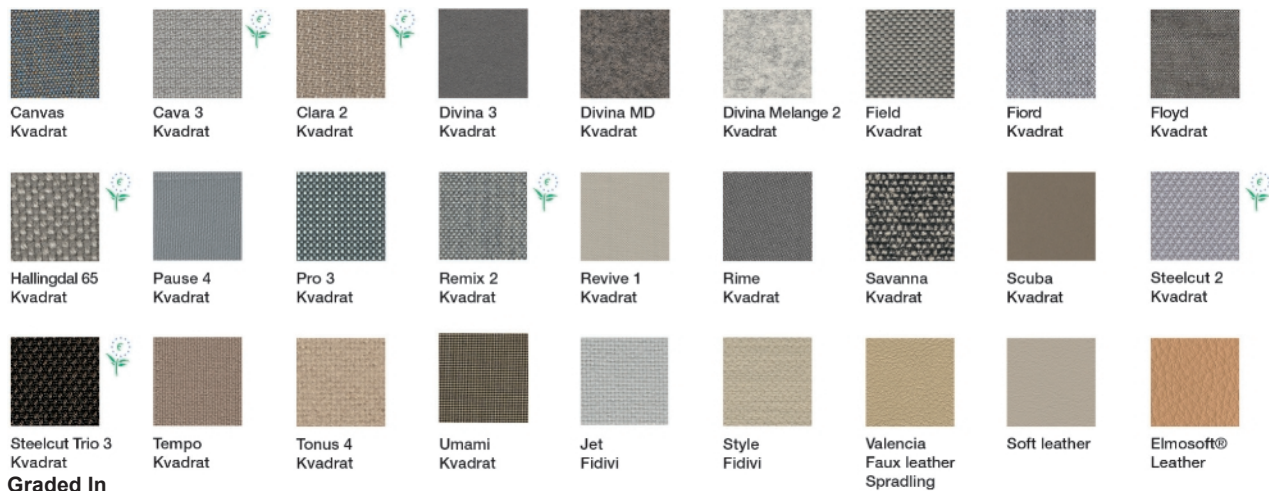


Shell

Polypropylene



Carded In



Graded In

kvadrat

camira



DESIGN
TEX



Gabriel



svensson

maharam


Serge Ferrari


Duna 02

Design by Lievore Altherr Molina, 2014

SHIPMENT DETAILS

Art.4220

1 pz = 2  - kg 12,04/ m³ 0,36

4 pz = 2  - kg 40,44/ m³ 0,47

TECHNICAL SPECIFICATIONS

Art.4220

COL requirement m² 0.56

H 140 cm. COM Meterage ml 0.55

Frame base finishes: indoor use only

RESISTANCE TEST

- EN 1728:2012 - EN 16139:2013 610
- EN 1728:2012 - EN 16139:2013 615
- EN 1728:2012 - EN 16139:2013 617
- EN 1728:2012 - EN 16139:2013 620
- EN 1728:2012 - EN 16139:2013 625
- EN 1728:2012 - EN 16139:2013 6 4
- EN 1022:05
- EN 1728:2012 - EN 16139:2013 611
- EN 1728:2012 - EN 16139:2013 616
- EN 1728:2012 - EN 16139:2013 618
- EN 1728:2012 - EN 16139:2013 624
- EN 1728:2012 - EN 16139:2013 626
- EN 1728:2012 - EN 16139:2013 6 5

FIRE RETARDANT TEST

Classe 1IM Cava 3 Field

ENVIRONMENTAL CERTIFICATIONS



arper

F +39 0422 791800

T +39 0422 7918

www.arper.com

Duna 02

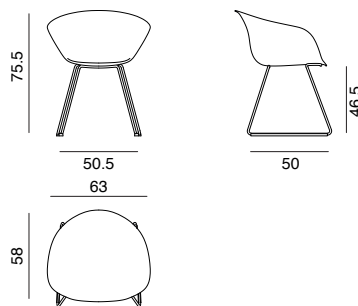
Design by Lievore Altherr Molina, 2014

Art. 4230

Chair with chromed or powdercoated steel sled base and shell fully upholstered in leather, faux leather, fabric or customer's own material. Glides for wooden floors available upon request without surcharge.



Dimensions *



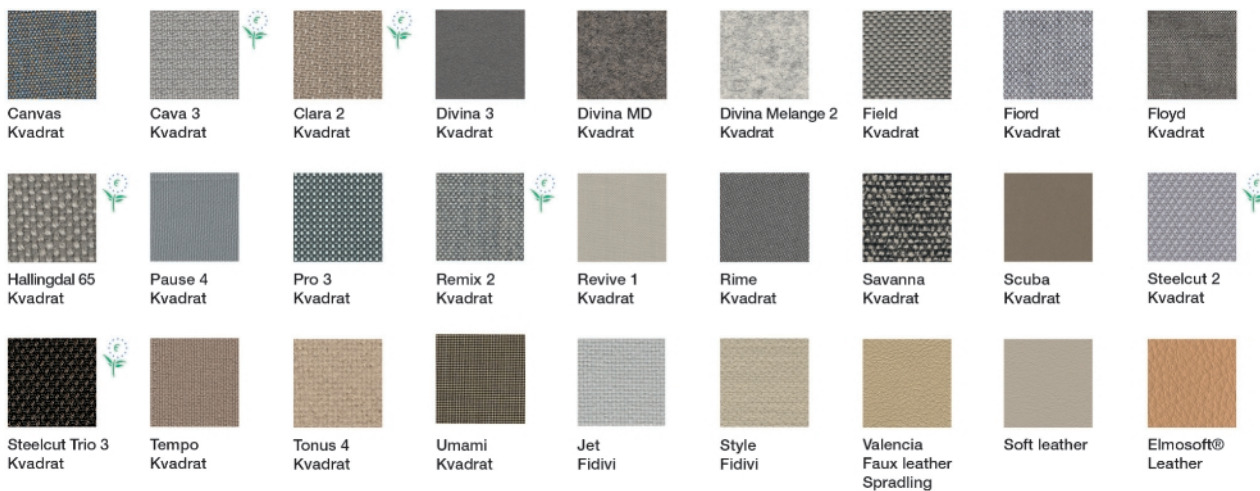
* File CAD 2D - 3D available for download at www.arper.com

Frame Base



Shell

Carded In



Graded In

kvadrat

camira



DESIGN
TEX



Gabriel



svensson

maharam


Serge Ferrari


Duna 02

Design by Lievore Altherr Molina, 2014

SHIPMENT DETAILS

Art.4230

1 pz = 2  - kg 12,04/ m³ 0,36

4 pz = 2  - kg 40,44/ m³ 0,47

TECHNICAL SPECIFICATIONS

Art.4230

COL requirement m² 2.66

H 140 cm. COM Meterage ml 1.72

Frame base finishes: indoor use only

RESISTANCE TEST

- EN 1728:2012 - EN 16139:2013 610
- EN 1728:2012 - EN 16139:2013 615
- EN 1728:2012 - EN 16139:2013 617
- EN 1728:2012 - EN 16139:2013 620
- EN 1728:2012 - EN 16139:2013 625
- EN 1728:2012 - EN 16139:2013 6 4
- EN 1022:05

- EN 1728:2012 - EN 16139:2013 611
- EN 1728:2012 - EN 16139:2013 616
- EN 1728:2012 - EN 16139:2013 618
- EN 1728:2012 - EN 16139:2013 624
- EN 1728:2012 - EN 16139:2013 626
- EN 1728:2012 - EN 16139:2013 6 5

FIRE RETARDANT TEST

ENVIRONMENTAL CERTIFICATIONS



arper

F +39 0422 791800

T +39 0422 7918

www.arper.com