

Juno

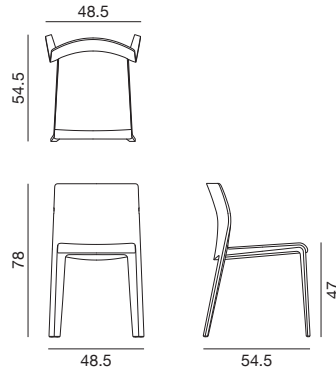
Design by James Irvine, 2012

Art. 3605

Chair with polypropylene 4 leg base, closed backrest and seat pad. The chair is available in 7 different colors and the seat pad is available in fabric, faux leather, leather or customer's material.



Dimensions *



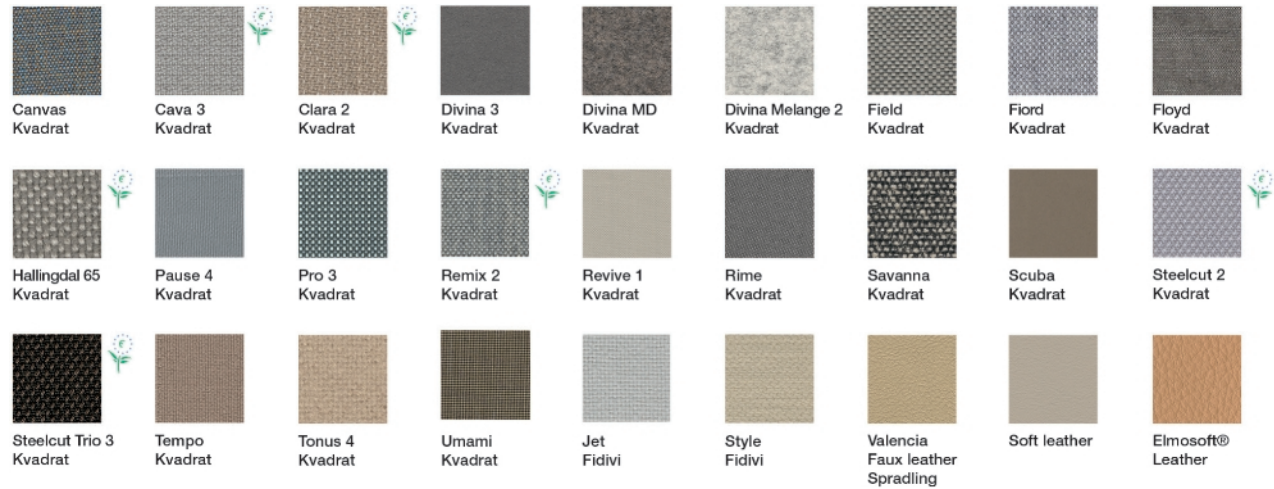
* File CAD 2D - 3D available for download at www.arper.com

Shell

Polypropylene



Carded In



Graded In







For more information on product and environmental certifications visit www.arper.com, or contact us at: environment@arper.com

Juno

Design by James Irvine, 2012

SHIPMENT DETAILS

Art.3605

- 1 pz = 1  - kg 6/ m³ 0,26
- 2 pz = 1  - kg 12,75/ m³ 0,27
- 4 pz = 1  - kg 23/ m³ 0,34
- 6 pz = 1  - kg 30/ m³ 0,4

RESISTANCE TEST

- EN 15373 6.12
- EN 1728:2012 - EN 16139:2013 6.15
- EN 1728:2012 - EN 16139:2013 6.17
- EN 1728:2012 - EN 16139:2013 6.24
- EN 1728:2012 - EN 16139:2013 6. 4
- EN 1022:05
- EN 15373 6.2.2
- EN 15373 6.8
- EN 1728/2000 - EN 15373:2007 A.2
- EN 15373 6.13
- EN 1728:2012 - EN 16139:2013 6.16
- EN 1728:2012 - EN 16139:2013 6.18
- EN 1728:2012 - EN 16139:2013 6.25
- EN 1728:2012 - EN 16139:2013 6. 5
- EN 15373 6.2.1
- EN 15373 6.7
- EN 1728/2000 - EN 15373:2007 6.18
- TUV GS (EN16139)

ENVIRONMENTAL CERTIFICATIONS



TECHNICAL SPECIFICATIONS

Art.3605

COL requirement m² 0.54
H 140 cm. COM Meterage ml 0.62
Minimum order: 2 items with the same finish.
Stacking protections included.

FIRE RETARDANT TEST

California TB117-2013 Cava 3 Clara Canvas Divina MD Divina Melange 2 Divina 3 Soft leather Elmosoft Field Hallingdal 65 Jet Jumper 3 Pro 3 Soft leather Pause 4 Remix 2 Savanna Steelcut 2 Scuba Steelcut Trio 2 Steelcut Trio 3 Sunniva Sunniva 2 Tonus 4 Tempo Faux leather Valencia • BS5852 Sch. 5 Part 1 Cava 3 Clara Canvas Divina MD Divina Melange 2 Divina 3 Soft leather Elmosoft Hallingdal 65 Soft leather Remix 2 Savanna Steelcut 2 Steelcut Trio 2 Steelcut Trio 3 Tonus 4 Faux leather Valencia

Stackability:

- With stacking protection pad: up to 10 pcs. (should the weight exceed 25 kilos a handling tool must be used).
- With stacking protection pad and trolley: up to 10 pcs.

arper

F +39 0422 791800

T +39 0422 7918

www.arper.com

Juno

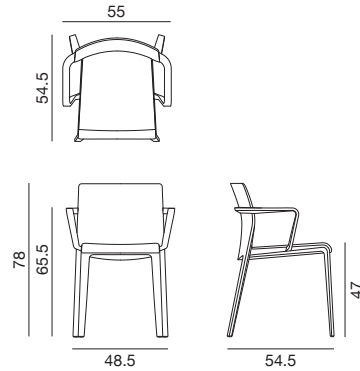
Design by James Irvine, 2012

Art. 3607

Chair with polypropylene 4 leg base, closed backrest, armrests and seat pad. The chair is available in 7 different colors and the seat pad is available in fabric, faux leather, leather or customer's material.



Dimensions *



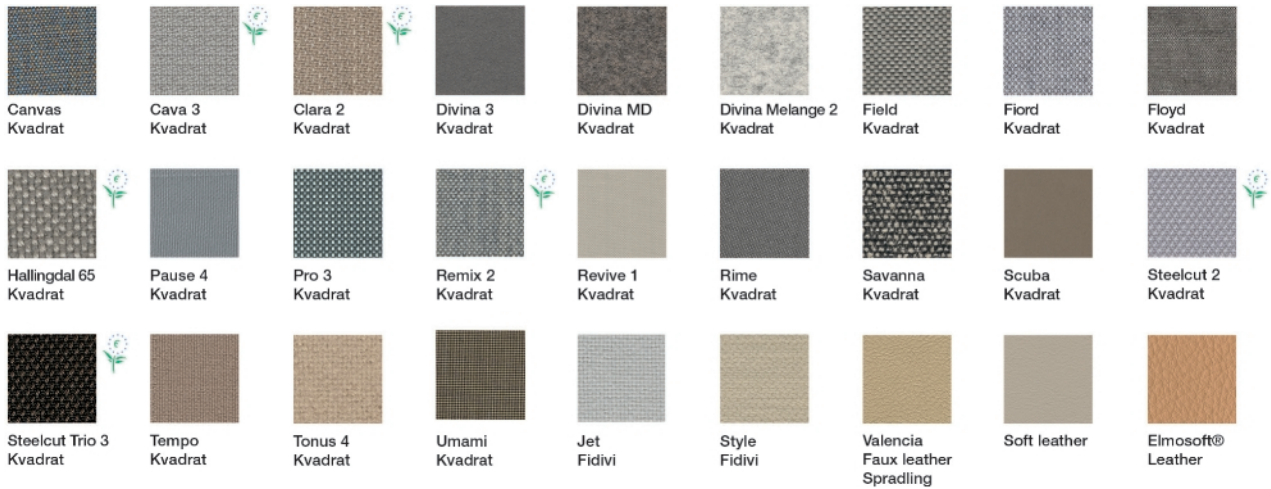
* File CAD 2D - 3D available for download at www.arper.com

Shell

Polypropylene



Carded In



Graded In

kvadrat

camira



DESIGN
TEX



Gabriel



svensson

maharam

Serge Ferrari

Juno

Design by James Irvine, 2012

SHIPMENT DETAILS

Art.3607

1 pz = 1  - kg 6/ m³ 0,26
2 pz = 1  - kg 13/ m³ 0,31
4 pz = 1  - kg 24/ m³ 0,41

TECHNICAL SPECIFICATIONS

Art.3607

COL requirement m² 0.54
H 140 cm. COM Meterage ml 0.62
Minimum order: 2 items with the same finish.
Stacking protections included.

RESISTANCE TEST

- TUV GS (EN16139)

FIRE RETARDANT TEST

California TB117-2013 Cava 3 Clara Canvas Divina MD Divina Melange 2 Divina 3 Soft leather Elmosoft Field Hallingdal 65 Jet Jumper 3 Pro 3 Soft leather Pause 4 Remix 2 Savanna Steelcut 2 Scuba Steelcut Trio 2 Steelcut Trio 3 Sunniva Sunniva 2 Tonus 4 Tempo Faux leather Valencia • BS5852 Sch. 5 Part 1 Cava 3 Clara Canvas Divina MD Divina Melange 2 Divina 3 Soft leather Elmosoft Hallingdal 65 Soft leather Remix 2 Savanna Steelcut 2 Steelcut Trio 2 Steelcut Trio 3 Tonus 4 Faux leather Valencia

ENVIRONMENTAL CERTIFICATIONS



Stackability:

- With stacking protection pad: up to 5 pcs. (should the weight exceed 25 kilos a handling tool must be used).
- With stacking protection pad and trolley: up to 5 pcs.

arper

F +39 0422 791800

T +39 0422 7918

www.arper.com