

# Norma

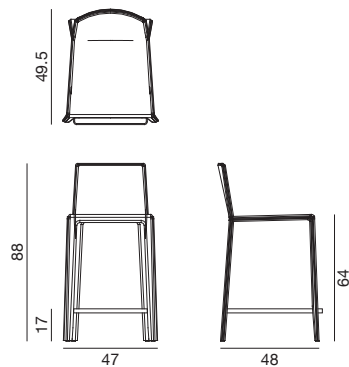
Design by Lievore Altherr Molina, 2005

## Art. 1714 1716

Counter stool with steel frame and covered legs. Polyurethane shell upholstered in hard leather grade 1 (CT) or hard leather grade 2 (CU). Available in two versions: with classic stitching (Art. 1714) or with decorative zipper (Art. 1716). Seat height 64 cm.



### Dimensions \*



\* File CAD 2D - 3D available for download at [www.arper.com](http://www.arper.com)

### Shell

#### Hard leather Grade 1 and Grade 2



CT



CU

arper

F +39 0422 791800

T +39 0422 7918

www.arper.com

# Norma

## Design by Lievore Altherr Molina, 2005

---

---

### SHIPMENT DETAILS

**Art.1714**

1 pz = 1  - kg 9,5/ m³ 0,3

1 pz = 1  - kg 9,5/ m³ 0,3

---

### TECHNICAL SPECIFICATIONS

---

### RESISTANCE TEST

- EN 1728:2000 - EN 15373:2007 6.4

---

### FIRE RETARDANT TEST

California TB117-2013 CT CU • BS5852 Sch. 5 Part 1 CT CU

---

### ENVIRONMENTAL CERTIFICATIONS



arper

F +39 0422 791800

T +39 0422 7918

www.arper.com

# Norma

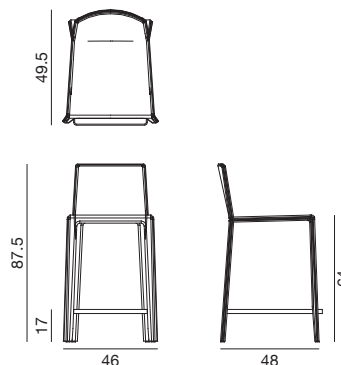
Design by Lievore Altherr Molina, 2005

## Art. 1719

Counter stool with steel frame and upholstered legs. Polyurethane shell upholstered in fabric, leather, customer's material and faux-leather. Seat height 64 cm.



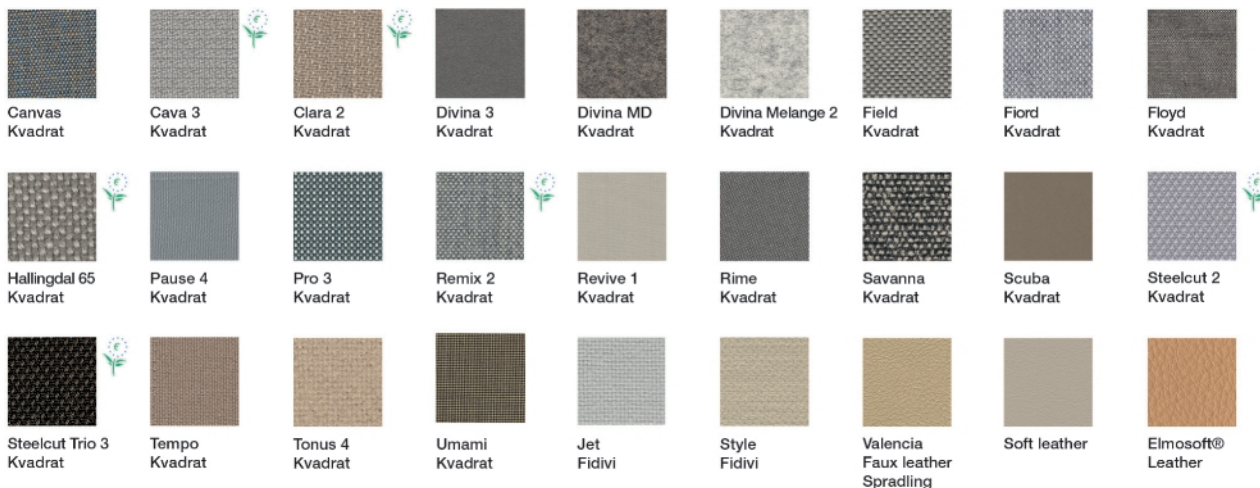
### Dimensions \*



\* File CAD 2D - 3D available for download at [www.arper.com](http://www.arper.com)

### Shell

#### Carded In



#### Graded In

**kvadrat**

**camira**



DESIGN  
TEX



**Gabriel**



**svensson**

**maharam**

**Serge Ferrari**

# Norma

## Design by Lievore Altherr Molina, 2005

---

### SHIPMENT DETAILS

**Art.1719**

1 pz = 1  - kg 11,4/ m² 0,3

---

### RESISTANCE TEST

- EN 1728:2000 - EN 15373:2007 6.4

---

### ENVIRONMENTAL CERTIFICATIONS



---

### TECHNICAL SPECIFICATIONS

**Art.1719**

COL requirement m² 1.86

H 140 cm. COM Meterage ml 1.21

---

### FIRE RETARDANT TEST

California TB117-2013 Cava 3 Clara Canvas Divina MD Divina Melange 2 Divina 3 Soft leather Elmosoft Field Hallingdal 65 Jet Jumper 3 Pro 3 Soft leather Pause 4 Remix 2 Savanna Steelcut 2 Scuba Steelcut Trio 2 Steelcut Trio 3 Sunniva Sunniva 2 Tonus 4 Tempo Faux leather Valencia • BS5852 Sch. 5 Part 1 Cava 3 Clara Canvas Divina MD Divina Melange 2 Divina 3 Soft leather Elmosoft Hallingdal 65 Soft leather Remix 2 Savanna Steelcut 2 Steelcut Trio 2 Steelcut Trio 3 Tonus 4 Faux leather Valencia

arper

F +39 0422 791800

T +39 0422 7918

www.arper.com