

# Saari

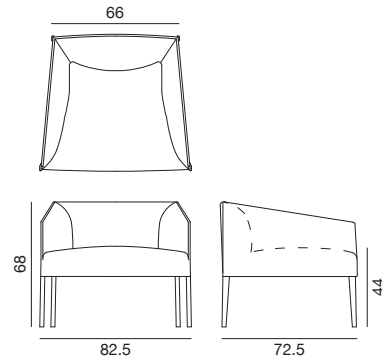
Design by Lievore Altherr Molina, 2009

## Art. 2711 2716

Armchair (82,5 cm wide seat) with polished, powdercoated or veneered four leg base. Upholstered shell with metal and plywood frame, upholstery available in leather, faux leather, fabric or customer's material. Fully removable cover version available upon request without surcharge.

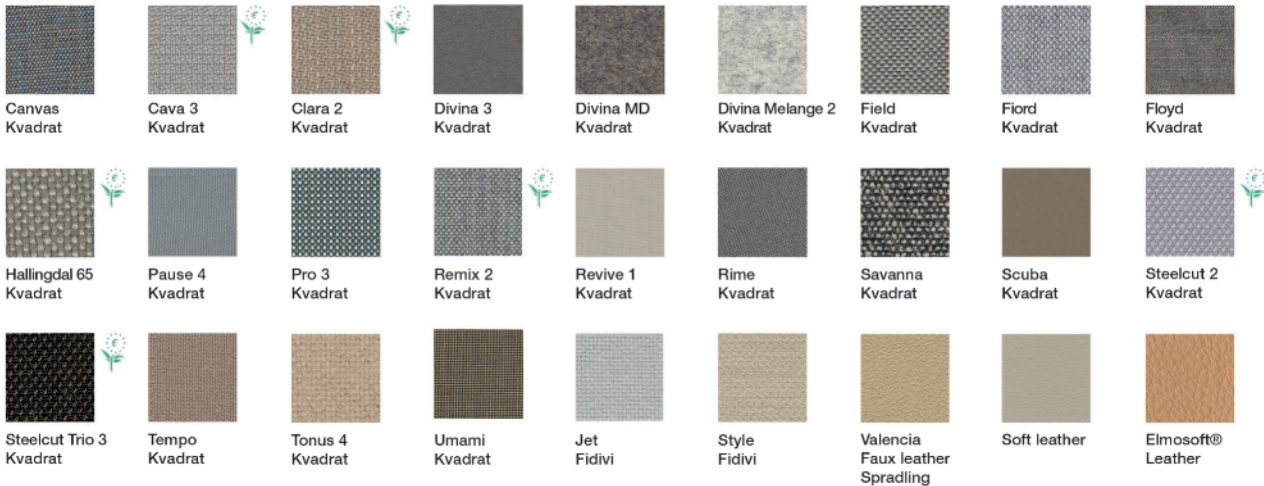


### Dimensions \*



\* File CAD 2D - 3D available for download at [www.arper.com](http://www.arper.com)

### Carded In



### Graded In

**kvadrat**

**camira**



DESIGN  
TEX



**Gabriel**



**svensson**

**maharam**

**Serge Ferrari**

# Saari

## Design by Lievore Altherr Molina, 2009

### SHIPMENT DETAILS

#### Art.2711

1 pz = 1  - kg 19/ m³ 0,84

1 pz = 1  - kg 5/ m³ 0,04

### TECHNICAL SPECIFICATIONS

#### Art.2711

COL requirement m² 4.54

H 140 cm. COM Meterage ml 3.14

### RESISTANCE TEST

- EN 1728:2000 - EN 15373:2007 6.10
- EN 1728:2000 - EN 15373:2007 6.13
- EN 1728:2000 - EN 15373:2007 6.16
- EN 1728:2000 - EN 15373:2007 6.2.1
- EN 1728:2000 - EN 15373:2007 6.5
- EN 1728:2000 - EN 15373:2007 6.7
- EN 15373:2007 A.2
- EN 1728:2000 - EN 15373:2007 6.12
- EN 1728:2000 - EN 15373:2007 6.15
- EN 1728:2000 - EN 15373:2007 6.17
- EN 1728:2000 - EN 15373:2007 6.2.2
- EN 1728:2000 - EN 15373:2007 6.6
- EN 1728:2000 - EN 15373:2007 6.8
- EN 1022:05

### FIRE RETARDANT TEST

BS5852 i.s. 5 Cava 3 Clara Field Pro 3 Remix 2 Scuba Tonus 4 Tempo  
• BS5852 Sch. 4 Part 1 Divina MD Divina Melange 2 Divina 3 Hallingdal  
65 Steelcut Trio 2 Steelcut Trio 3 Tonus 4 • BS5852 Sch. 5 Part 1 Cava 3  
Clara Divina MD Divina Melange 2 Divina 3 Soft leather Elmosoft  
Hallingdal 65 Remix 2 Steelcut Trio 2 Steelcut Trio 3 Tonus 4 • EN 1021 -  
1 Cava 3 Clara Field Pro 3 Remix 2 Tempo • EN 1021 - 2 Cava 3  
Clara Field Pro 3 Remix 2 Tempo

### ENVIRONMENTAL CERTIFICATIONS



arper

F +39 0422 791800

T +39 0422 7918

www.arper.com