

Saari TR

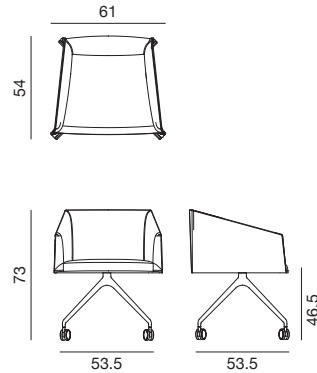
Design by Lievore Altherr Molina, 2009

Art. 2709

Tub armchair with polished or powdercoated aluminium fixed trestle base mounted on self-braking castors. Plywood shell upholstered in leather, faux leather, fabric or customer's own fabric.



Dimensions *



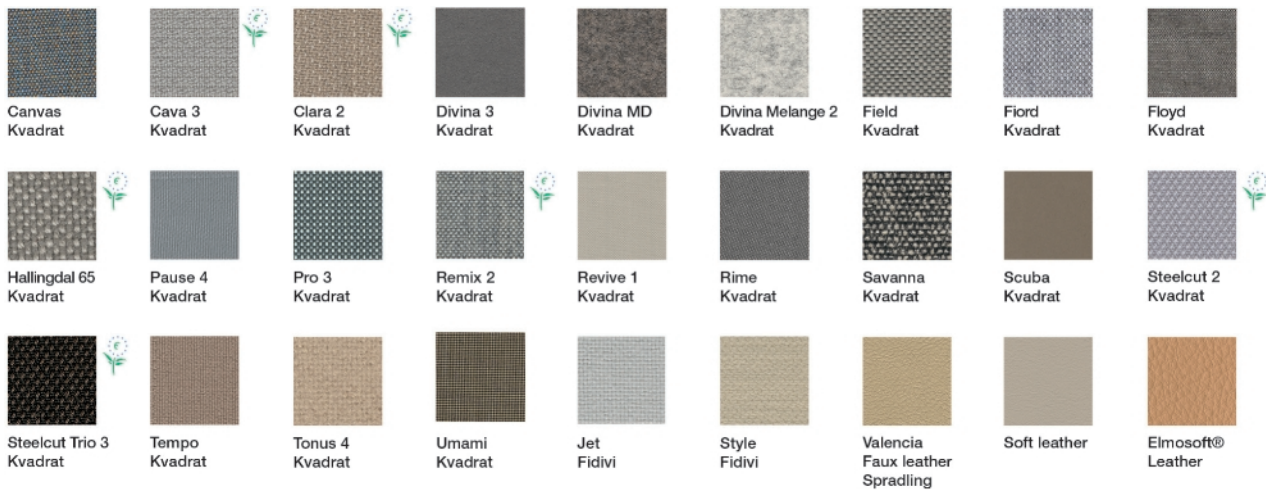
* File CAD 2D - 3D available for download at www.arper.com

Frame Base



Shell

Carded In



Graded In

kvadrat

camira



DESIGN
TEX



Gabriel



svensson

maharam

Serge Ferrari

Saari TR

Design by Lievore Altherr Molina, 2009

SHIPMENT DETAILS

Art.2709

1 pz = 1  - kg 18/ m³ 0,21

TECHNICAL SPECIFICATIONS

Art.2709

COL requirement m² 3.25

H 140 cm. COM Meterage ml 1.87

RESISTANCE TEST

- EN 1728:2000 - EN 15373:2007 6.2.1
- EN 1728:2000 - EN 15373:2007 6.5
- EN 1728:2000 - EN 15373:2007 6.7
- EN 1728:2000 - EN 15373:2007 6.2.2
- EN 1728:2000 - EN 15373:2007 6.6

FIRE RETARDANT TEST

BS5852 i.s. 5 Cava 3 Field Tempo • Classe 1IM Cava 3 Field Tempo
• California TB117-2013 Cava 3 Clara Canvas Divina MD Divina
Melange 2 Divina 3 Soft leather Elmosoft Field Hallingdal 65 Jet
Jumper 3 Pro 3 Soft leather Pause 4 Remix 2 Savanna Steelcut 2
Scuba Steelcut Trio 2 Steelcut Trio 3 Sunniva Sunniva 2 Tonus 4
Tempo Faux leather Valencia • BS5852 Sch. 4 Part 1 Steelcut Trio 2
Steelcut Trio 3 • BS5852 Sch. 5 Part 1 Cava 3 Clara Canvas Divina MD
Divina Melange 2 Divina 3 Soft leather Elmosoft Hallingdal 65 Soft
leather Remix 2 Savanna Steelcut 2 Steelcut Trio 2 Steelcut Trio 3
Tonus 4 Faux leather Valencia • EN 1021 - 1 Cava 3 Field Tempo • EN
1021 - 2 Cava 3 Field Tempo

ENVIRONMENTAL CERTIFICATIONS



arper

F +39 0422 791800

T +39 0422 7918

www.arper.com