

Kinesit

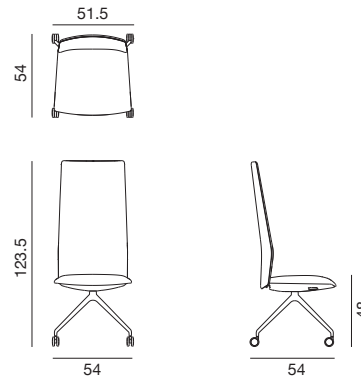
Design by Lievore Altherr Molina, 2014

Art. 4837

Chair with aluminum fixed trestle base on self-breaking castors (color matching with base). Seat with built-in self-tensioning weight response mechanism, backrest with 3-position recline. High back and seat completely upholstered in leather, customer's leather, faux leather, fabric or customer's fabric. Fixed or adjustable armrests in nylon fiber, color matching with backshell, are available upon request and with a surcharge.



Dimensions *



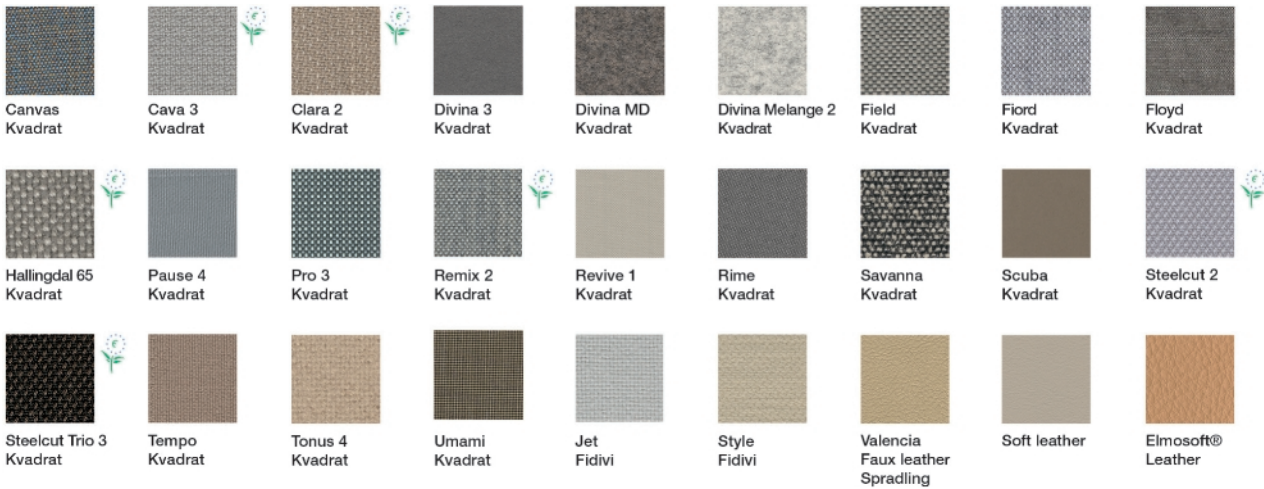
* File CAD 2D - 3D available for download at www.arper.com

Frame Base



Shell

Carded In



Graded In

kvadrat

camira



DESIGN
TEX



Gabriel



svensson

maharam

Serge Ferrari

Kinesit

Design by Lievore Altherr Molina, 2014



Armrest 2D



Armrest

SHIPMENT DETAILS

Art.4837

1 pz = 1  - kg 24/ m³ 0,55

TECHNICAL SPECIFICATIONS

Art.4837

COL requirement m² 3.3

H 140 cm. COM Meterage ml 1.76

RESISTANCE TEST

FIRE RETARDANT TEST

ENVIRONMENTAL CERTIFICATIONS



arper

F +39 0422 791800

T +39 0422 7918

www.arper.com