

Kinesit

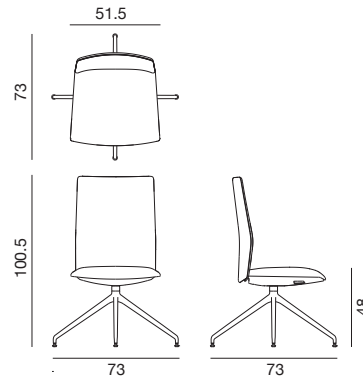
Design by Lievore Altherr Molina, 2014

Art. 4818

Chair with aluminum swivel trestle base on glides. Seat with built-in self-tensioning weight response mechanism, backrest with 3-position recline, adjustable lumbar support breathing up to 60 mm. Medium backrest with front in nylon mesh in the same color as the backshell (black or white). Seat upholstered in leather, customer's leather, faux leather, fabric or customer's fabric. Fixed or 2D adjustable armrests in nylon fiber, color matching with backshell, are available upon request and with a surcharge.



Dimensions *



* File CAD 2D - 3D available for download at www.arper.com

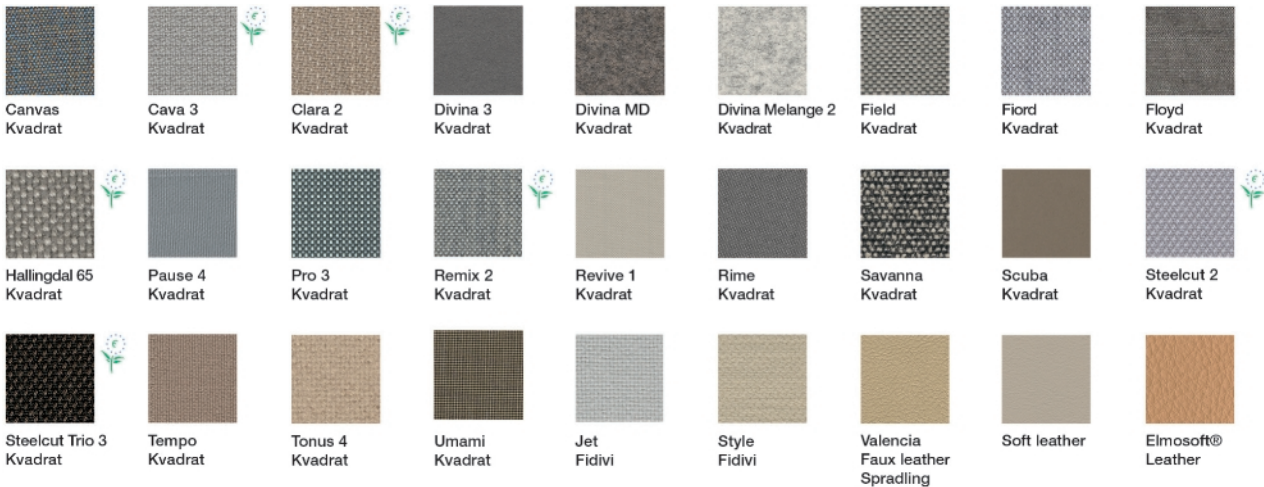
Frame Base



arper

Shell

Carded In



Graded In

kvadrat

camira



DESIGN
TEX



Gabriel



svensson

maharam

Serge Ferrari

F +39 0422 791800

T +39 0422 7918

www.arper.com

Kinesit

Design by Lievore Altherr Molina, 2014

Accessories:



Set of glides Art. 2015



Armrest 2D



Armrest

SHIPMENT DETAILS

Art.4818

1 pz = 1  - kg 22/ m³ 0,45

RESISTANCE TEST

ENVIRONMENTAL CERTIFICATIONS



TECHNICAL SPECIFICATIONS

Art.4818

COL requirement m² 0.78

H 140 cm. COM Meterage ml 0.72

FIRE RETARDANT TEST

arper

F +39 0422 791800

T +39 0422 7918

www.arper.com

Kinesit

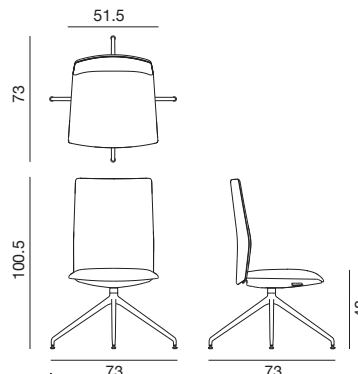
Design by Lievore Altherr Molina, 2014

Art. 4824

Chair with aluminum swivel trestle base on glides. Seat with built-in self-tensioning weight response mechanism, backrest with 3-position recline, adjustable lumbar support breathing up to 60 mm. Medium backrest with visible backshell (available in black and white) and front back and seat upholstered in leather, customer's leather, faux leather, fabric or customer's fabric. Fixed or 2D adjustable armrests in nylon fiber, color matching with backshell, are available upon request and with a surcharge. Back and seat can be ordered in different colors of the same upholstery, with a surcharge.



Dimensions *



* File CAD 2D - 3D available for download at www.arper.com

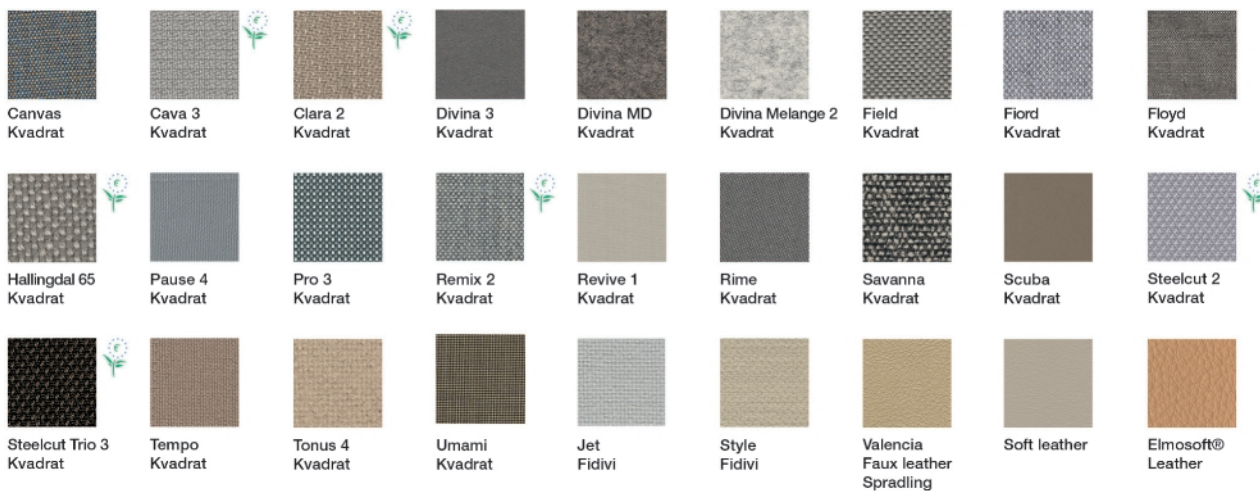
Frame Base



arper

Shell

Carded In



Graded In

kvadrat

camira



DESIGN
TEX



Gabriel



svensson

maharam

Serge Ferrari

Kinesit

Design by Lievore Altherr Molina, 2014

Accessories:



Set of glides Art. 2015



Armrest 2D



Armrest

SHIPMENT DETAILS

Art.4824

1 pz = 1  - kg 22/ m³ 0,45

TECHNICAL SPECIFICATIONS

Art.4824

COL requirement m² 1.68

H 140 cm. COM Meterage ml 0.83

RESISTANCE TEST

FIRE RETARDANT TEST

ENVIRONMENTAL CERTIFICATIONS



arper

F +39 0422 791800

T +39 0422 7918

www.arper.com

Kinesit

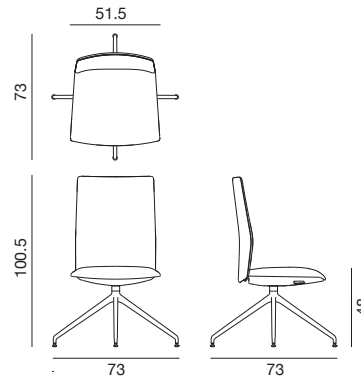
Design by Lievore Altherr Molina, 2014

Art. 4830

Chair with aluminum swivel trestle base on glides. Seat with built-in self-tensioning weight response mechanism, backrest with 3-position recline, adjustable lumbar support breathing up to 60 mm. Medium back and seat completely upholstered in leather, customer's leather, faux leather, fabric or customer's fabric. Fixed or 2D adjustable armrests in nylon fiber are available upon request and with a surcharge. Back and seat can be ordered in different colors of the same upholstery, with a surcharge.

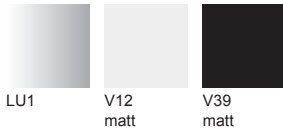


Dimensions *



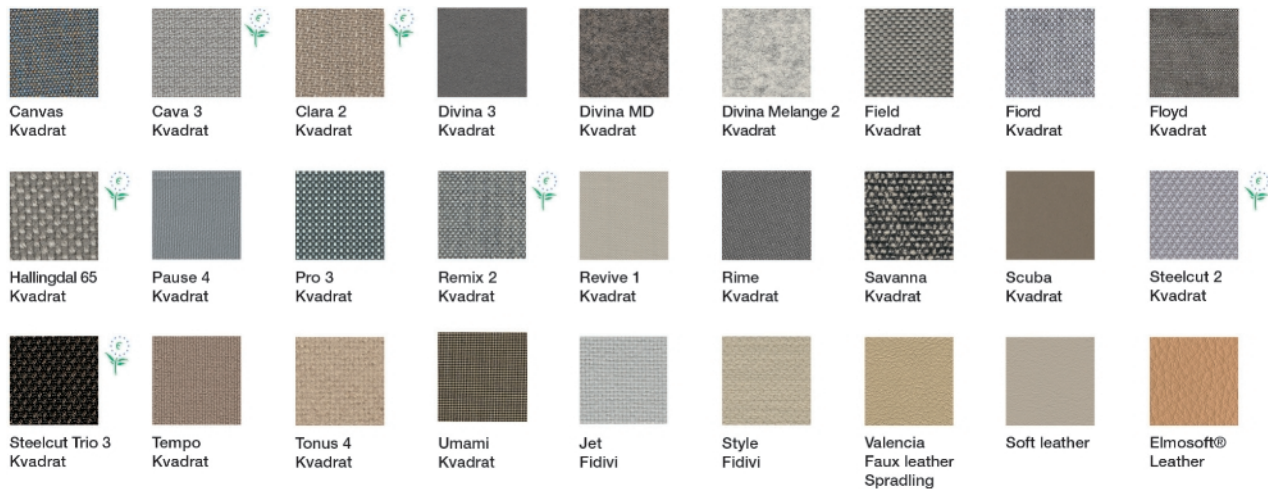
* File CAD 2D - 3D available for download at www.arper.com

Frame Base



Shell

Carded In



Graded In

kvadrat

camira



DESIGN
TEX



Gabriel



svensson

maharam

Serge Ferrari

Kinesit

Design by Lievore Altherr Molina, 2014

Accessories:



Set of glides Art. 2015



Armrest 2D



Armrest

SHIPMENT DETAILS

Art.4830

1 pz = 1  - kg 22/ m³ 0,45

TECHNICAL SPECIFICATIONS

Art.4830

COL requirement m² 2,64

H 140 cm. COM Meterage ml 1.49

RESISTANCE TEST

FIRE RETARDANT TEST

ENVIRONMENTAL CERTIFICATIONS



arper

F +39 0422 791800

T +39 0422 7918

www.arper.com