

KLIK



User manual

arper

**Islands for gathering. Constellations for activity.
Kiik is created for the spaces between entry and departure, between waiting and doing. This modular collection of seating, tables, ottomans and consoles creates moments for working, gathering, or relaxation in graphic forms with myriad configurations.**

INDICE

— Overview	4
Frames	6
Seating modules	7
Table modules	8
Console	9
Ottoman	10
Link	11
— Arrangement instructions	12
Step 1 — Select the frame	14
Step 2 — Sofa arrangement	15
Step 3 — Connect the arrangements	19
Step 4 — Complete the layout	23
— Other options	28

OVERVIEW

Seating modules

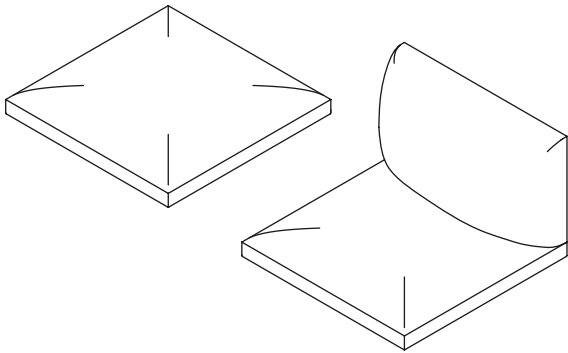
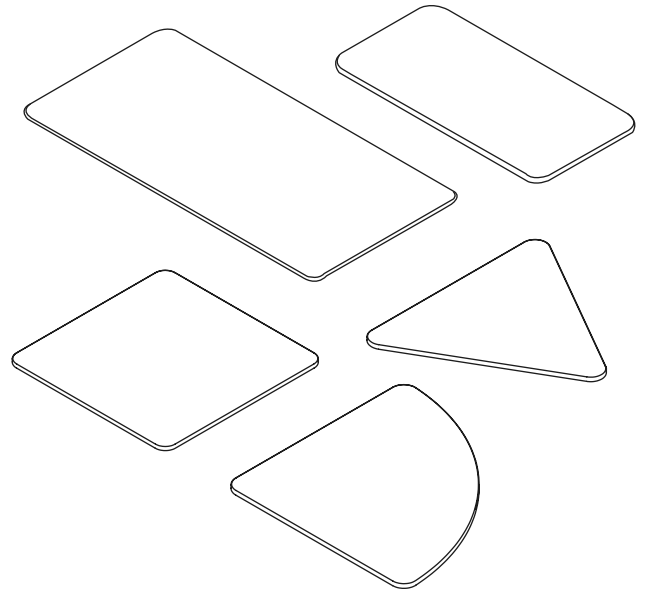
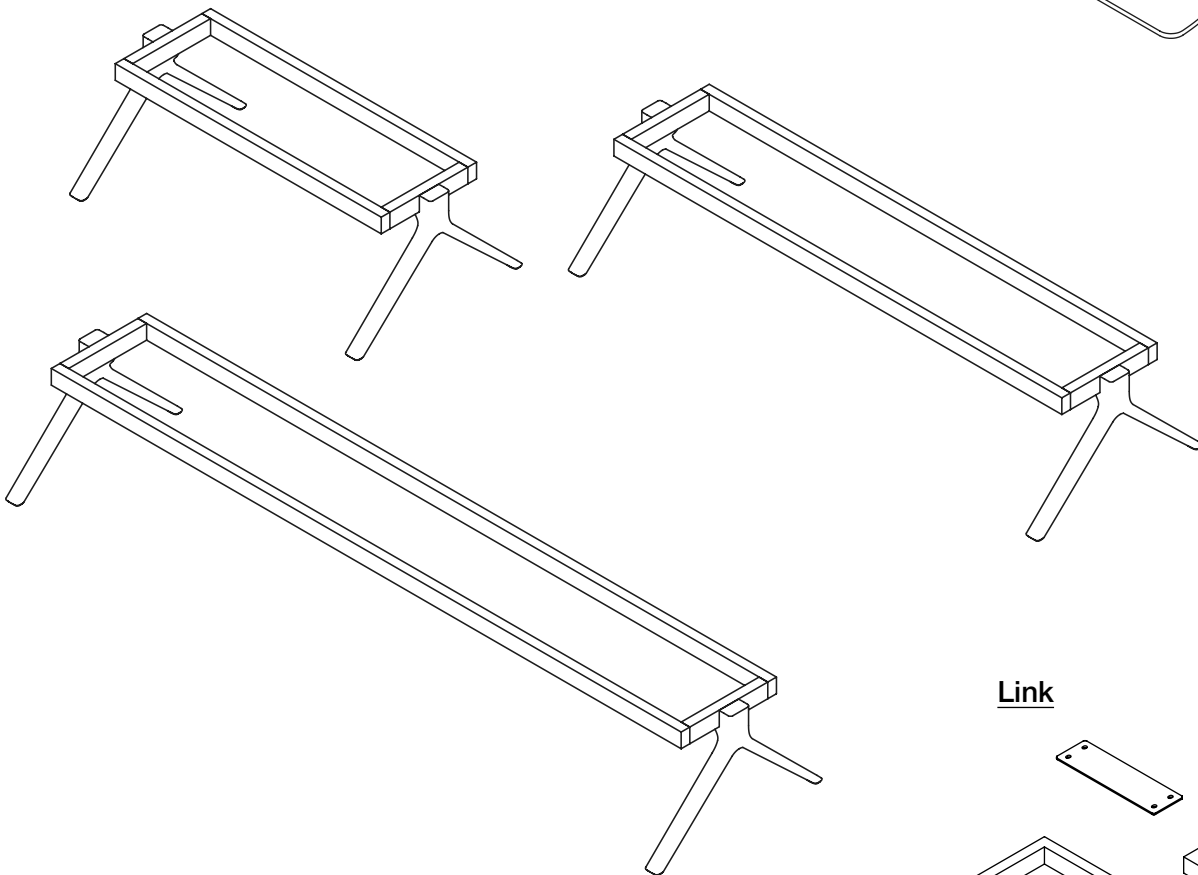


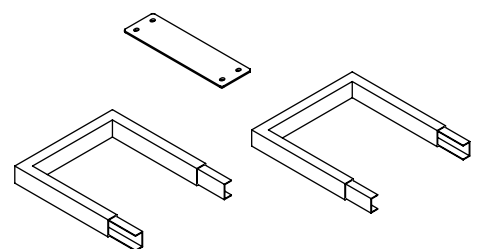
Table modules



Frames

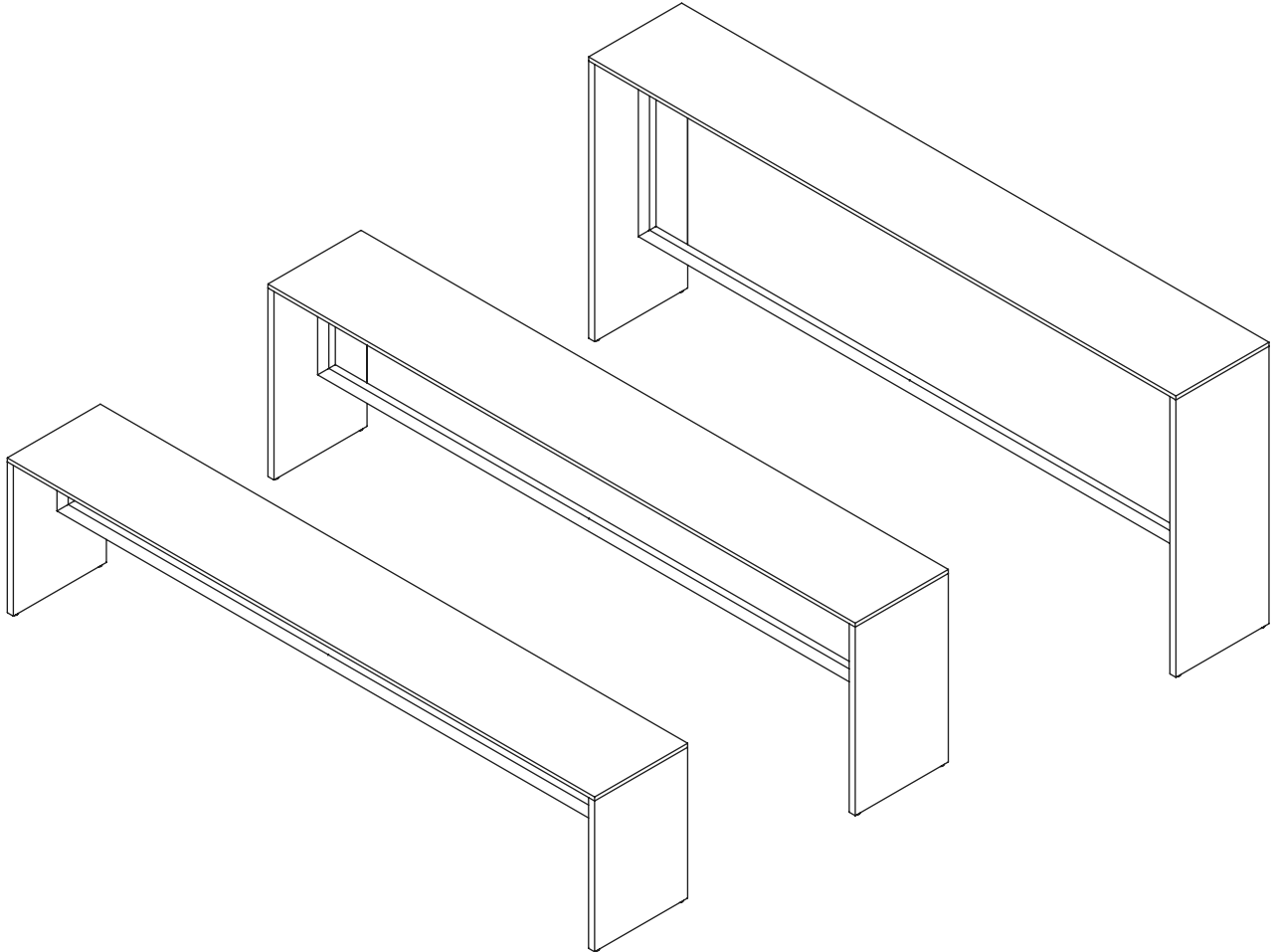


Link

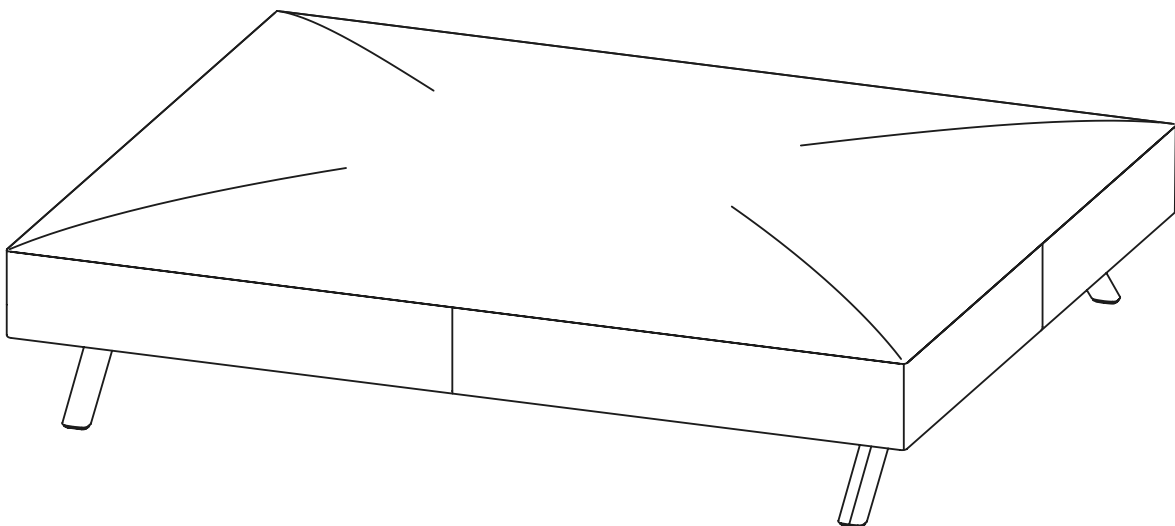


OVERVIEW

Console



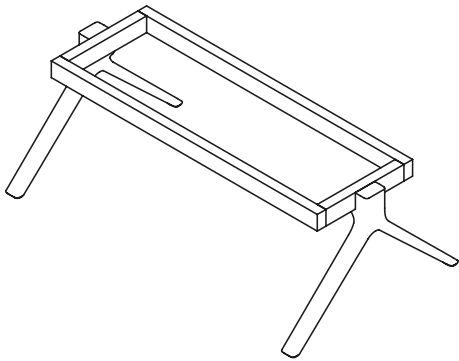
Ottoman



Frames

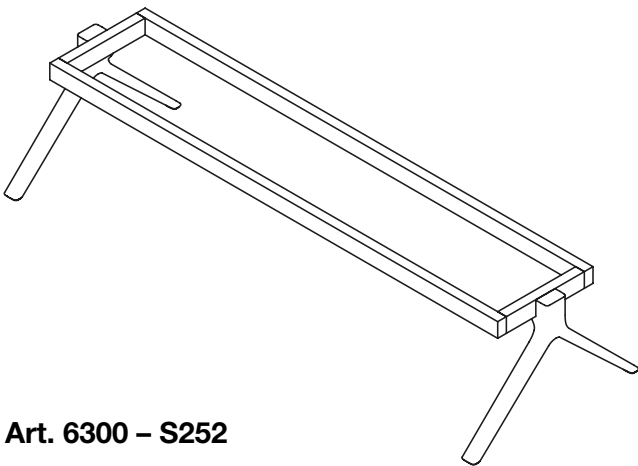
Frames composed by a black coated steel frame and a set of legs made of polished or black coated pressure die-cast aluminum. The frames are available in three dimensions to accommodate respectively two, three or four units that can be organized with pads or side tables.

Art. 6302 – S126



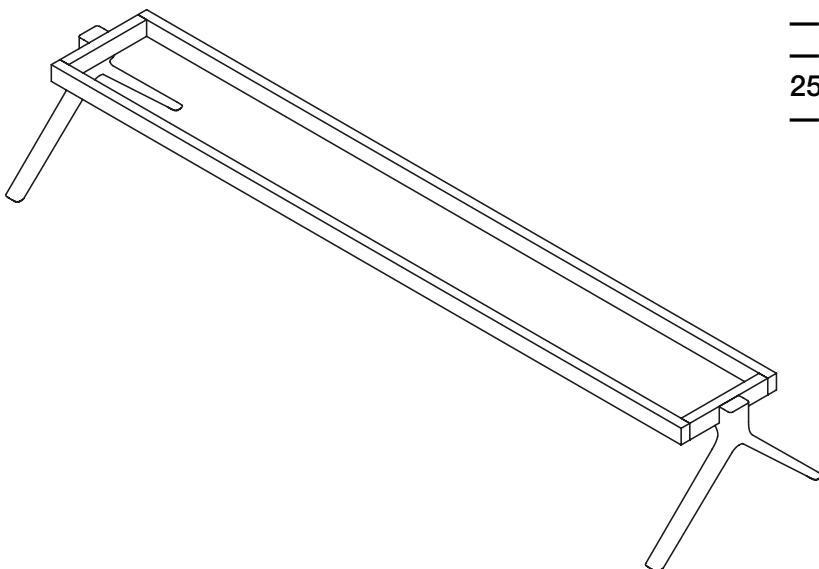
- Dimensions: 92,6 x 33 x 35 cm
- Dimensions of the assembled product: 126 x 63 cm
- It accomodates 2 units

Art. 6301 – S189



- Dimensions: 155,6 x 33 x 35 cm
- Dimensions of the assembled product: 189 x 63 cm
- It accomodates 3 units

Art. 6300 – S252

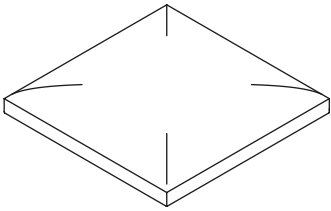


- Dimensions: 218,6 x 33 x 35 cm
- Dimensions of the assembled product: 252 x 63 cm
- It accomodates 4 units

Seating modules

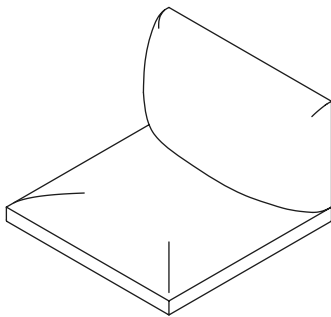
One-seat modules to be hooked to the frames. Available in two versions: only pad and pad with backrest. Both versions are upholstered with fabric, leather, faux leather, or customer's fabric or leather removable cover.

Art. 6303 – Cushion



- Dimensions: 63 x 63 x 10 cm
- Fills 1 unit

Art. 6304 – Cushion with backrest

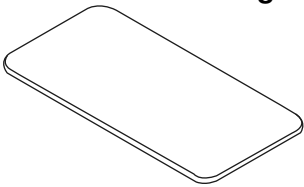


- Dimensions: 63 x 63 x 40 cm
- Fills 1 unit

Table modules

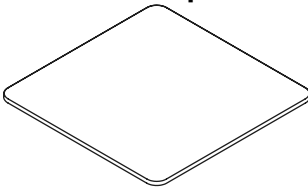
Side tables available in 5 shapes and sizes. Square and rectangular shape side tables can be positioned on the frames as a replacement to pads modules. The 31.5 x 63 cm rectangular side table can be positioned overhanging with respect to the frames by means of a special support link. The triangular and quarter round side tables work as joints for two or more arrangements, allowing for L-shaped and linear modules (120° and 90°). All side tables are available in black oak or natural oak effect laminate finish; they can be powered with the Bachmann Pix accessory - USB version.

Art. 6310 – Rectangular table 31,5x63 cm



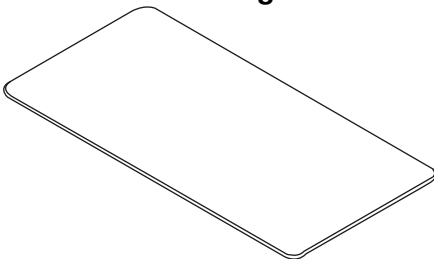
- Dimensions: 31,5 x 63 cm
- Thickness: 1,4 cm
- It takes 0,5 unit

Art. 6309 – Square table



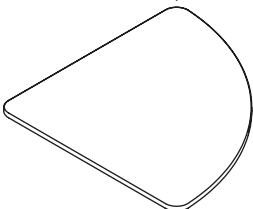
- Dimensions: 63 x 63 cm
- Thickness: 1,4 cm
- It takes 1 unit

Art. 6308 – Rectangular table 31,5 x 63 cm



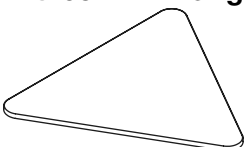
- Dimensions: 126 x 63 cm
- Thickness: 1,4 cm
- It takes 2 units

Art. 6311 – Quarter round table



- Dimensions: 63 x 63 cm
- Thickness: 1,4 cm
- For 90° compositions

Art. 6312 – Triangular table

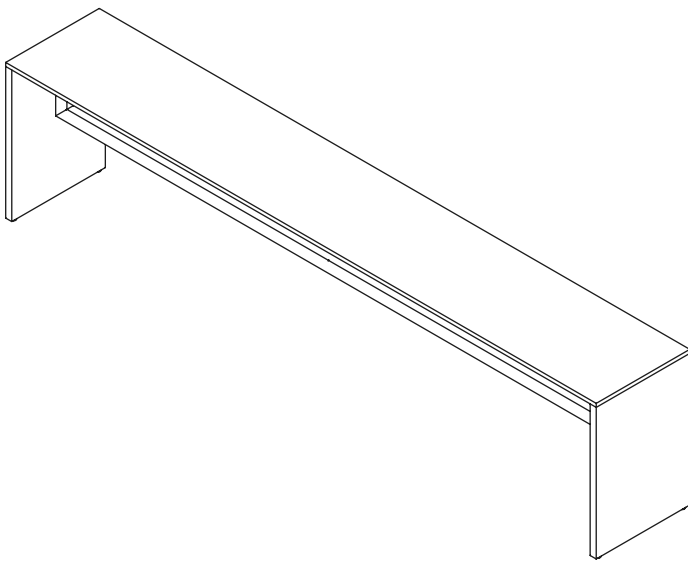


- Dimensions: 63 x 63 x 63 cm
- Thickness: 1,4 cm
- For 120° compositions

Console

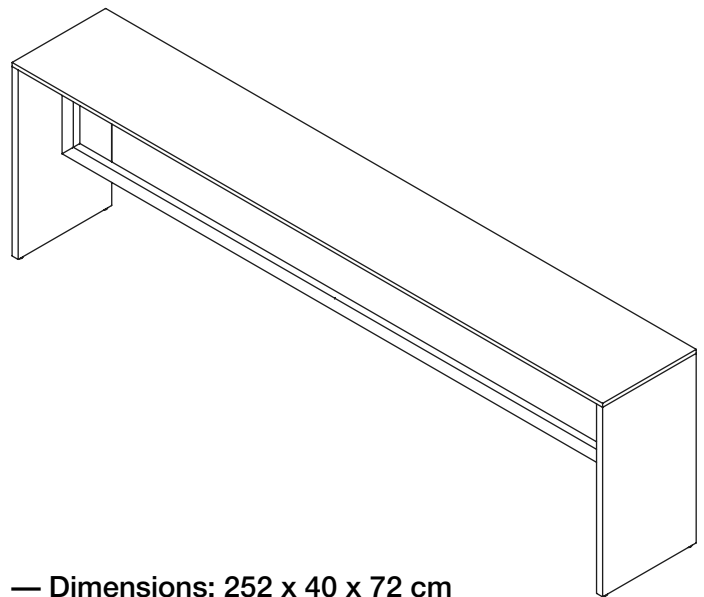
Consoles available in three heights: 58, 72 and 105 cm in black oak or natural oak effect laminate finish. The consoles can be powered with two Bachmann Pix accessories - USB version.

Art. 6305 – Console h 58 cm



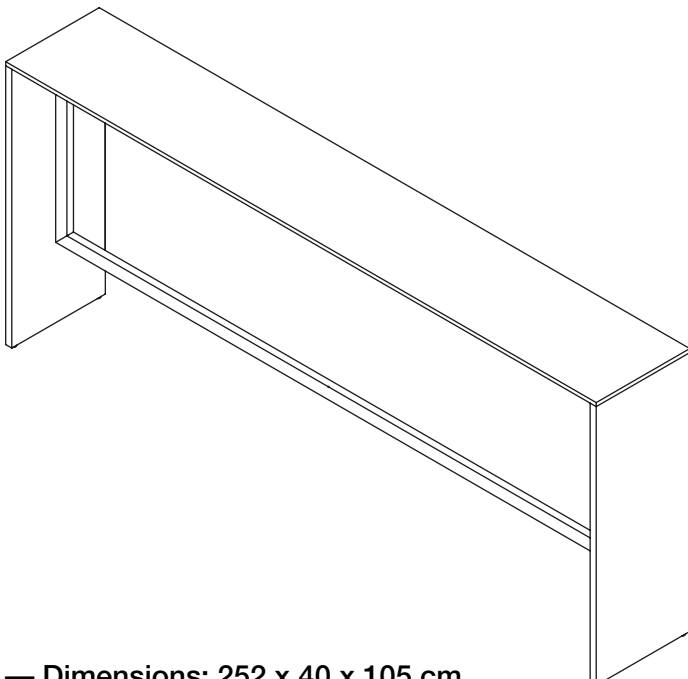
— Dimensions: 252 x 40 x 58 cm

Art. 6306 – Console h 72 cm



— Dimensions: 252 x 40 x 72 cm

Art. 6307 – Console h 105 cm

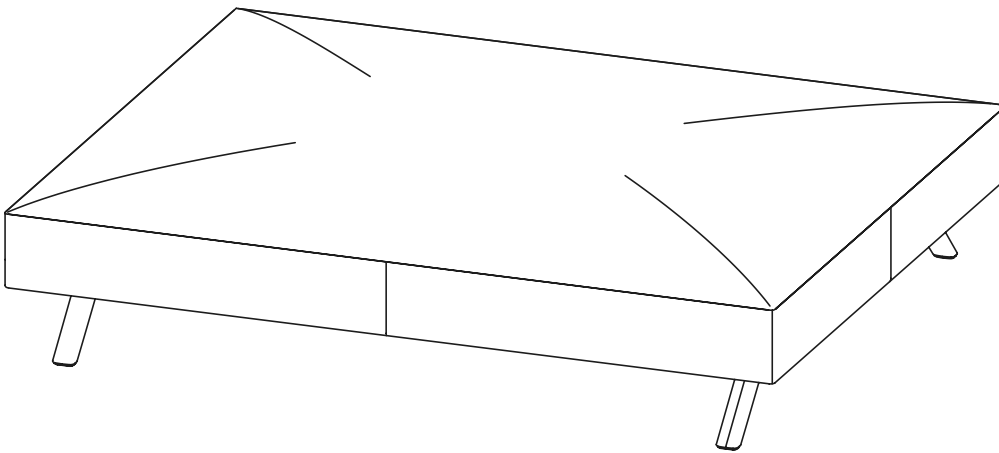


— Dimensions: 252 x 40 x 105 cm

Ottoman

Ottoman composed by a set of four legs made of polished or black coated pressure die-cast aluminum, with a wide upholstered seat with fabric, leather, faux leather, or customer's fabric or leather removable cover.

Art. 6313 – Ottoman



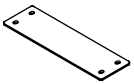
— Dimensions: 126 x 157,5 x 36 cm

Link

Useful links to create arrangements and anchor some elements. The Plate link can be used to connect two sofas or to anchor a triangular side table between two or three sofas in a linear (120°) arrangement. The C link can be used to anchor a 31,5 x 63 cm rectangular side table overhanging from a frame or to support a quarter round side table between two sofas in a L-shaped (90°) arrangement. The Island link can be used for special arrangements that require putting two frames one next to the other (S189 or S252) and a final arrangement with four or six pads and four quarter round side tables.

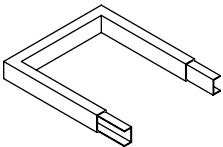
Art. 6316 – Plate link

— Dimensions: 26,6 x 8 cm



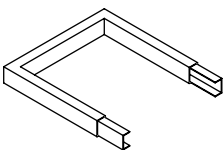
Art. 6314 – C-shaped link

— Dimensions: 31 x 33 x 5 cm



Art. 6315 – Island link

— Dimensions: 33,4 x 36 x 5 cm

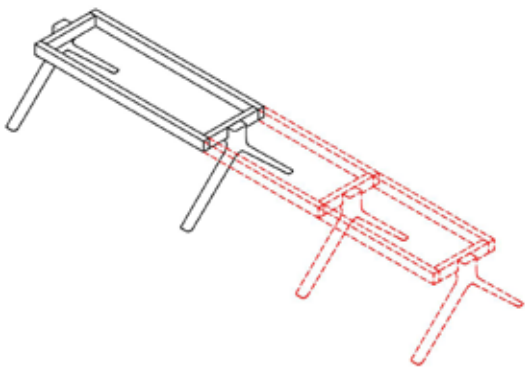


ARRANGEMENT

INSTRUCTIONS

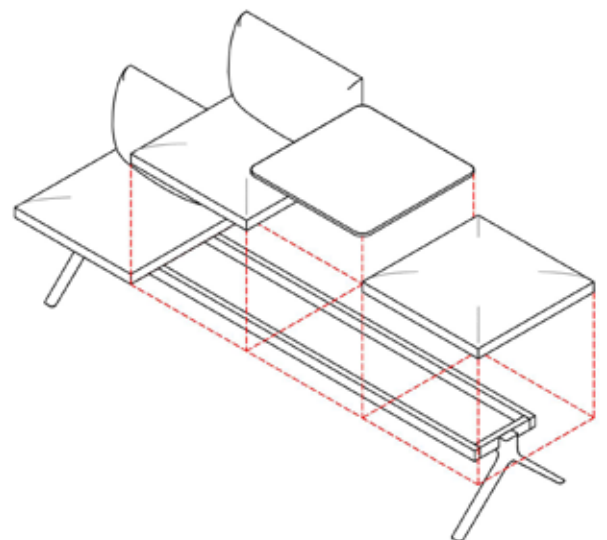
STEP 1 / 4

— Select the frame



STEP 2 / 4

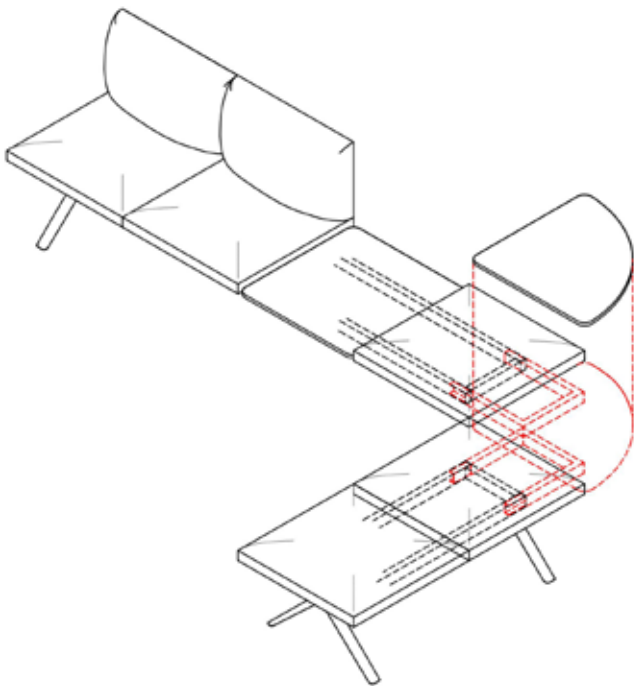
— Sofa arrangement



Arrangement instructions

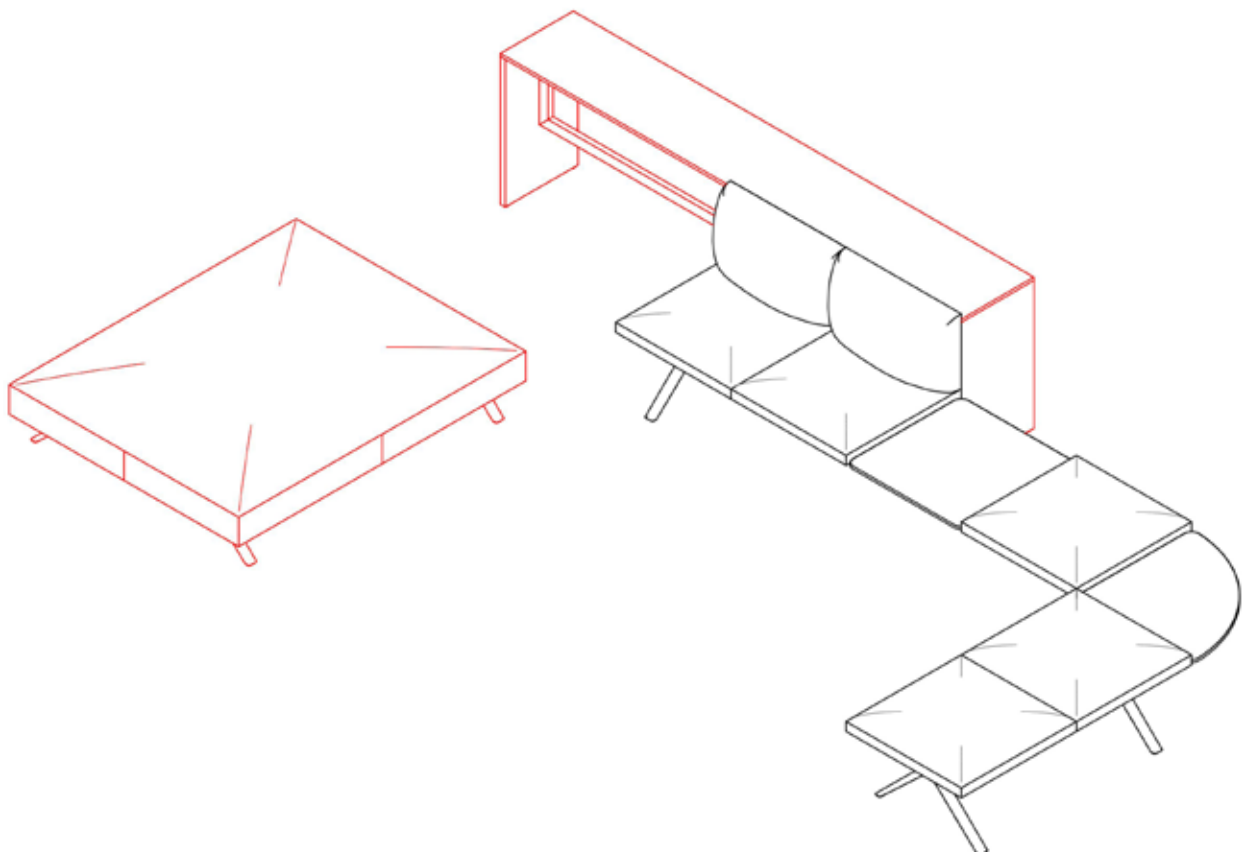
STEP 3 / 4

— Connect the arrangements



STEP 4 / 4

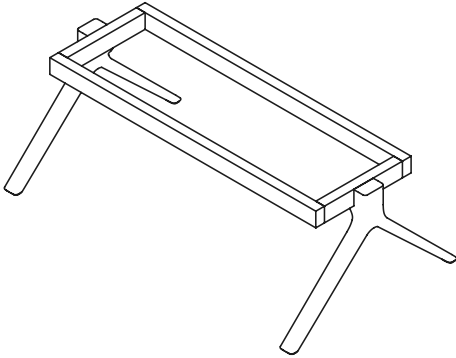
— Complete the layout



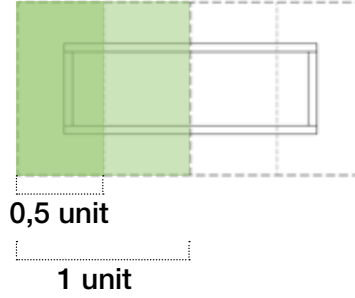
STEP 1 / 4 — Select the frame

Choose one of the available frames (S126, S189 or S252) that can accommodate respectively two, three or four units.

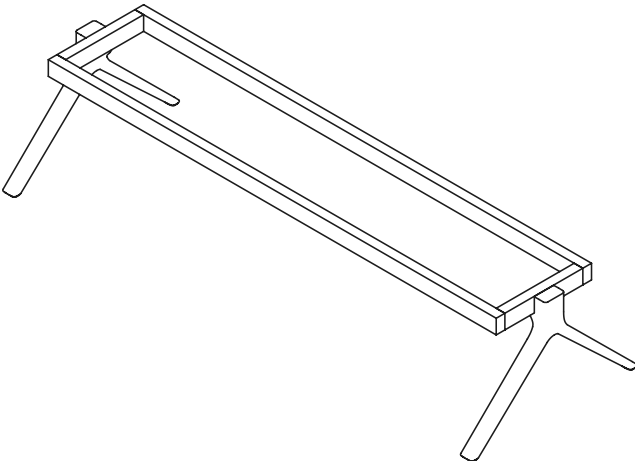
Art. 6302 – S126



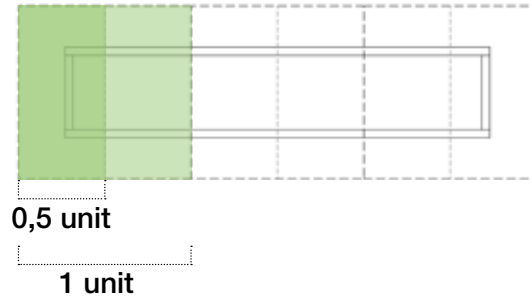
It accommodates 2 units



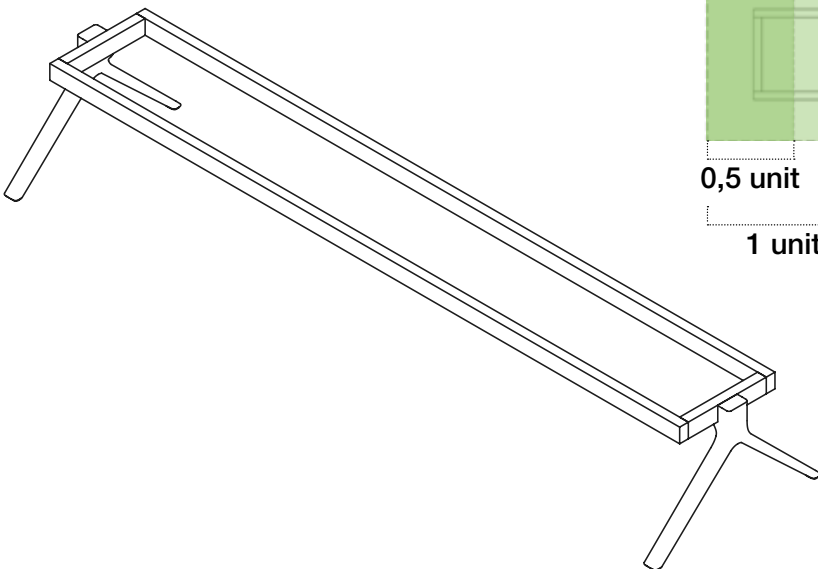
Art. 6301 – S189



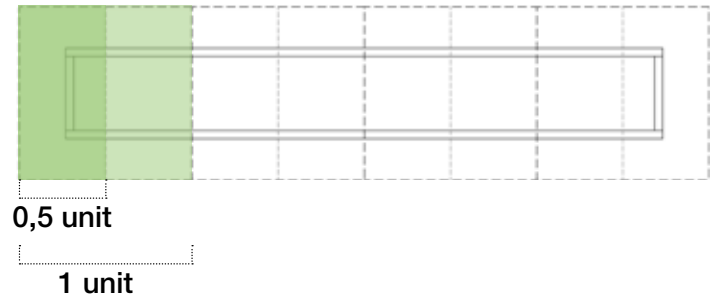
It accommodates 3 units



Art. 6300 – S252



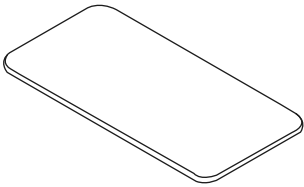
It accommodates 4 units



STEP 2 / 4 — Sofa arrangement

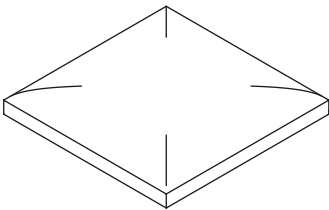
Choose the elements to be arranged in the units available on the selected frame.

0,5 unit

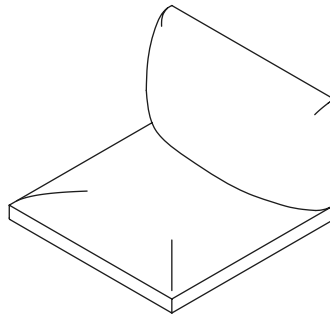


Art. 6310

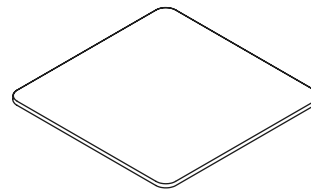
1 unit



Art. 6303

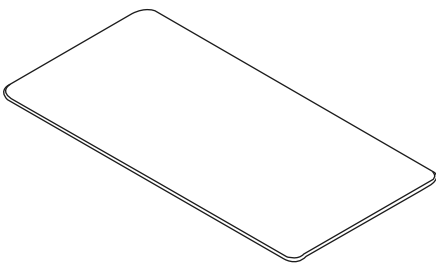


Art. 6304



Art. 6309

2 units



Art. 6308

Configuration examples:

Using S126 - Art. 6302



— Art. 6303 - Cushion (x2)



— Art. 6304 - Cushion with backrest (x2)



— Art. 6303 - Cushion (x1)
— Art. 6304 - Cushion with backrest (x1)



— Art. 6308 - Rectangular table
126 x 63 (x1)

Configuration examples:

Using S189 - Art. 6301



— Art. 6303 - Cushion (x3)



— Art. 6304 - Cushion with backrest (x3)



— Art. 6303 - Cushion (x1)
— Art. 6304 - Cushion with backrest (x2)



— Art. 6303 - Cushion (x2)
— Art. 6309 - Square table
63 x 63 cm (x1)

Configuration examples:

Using S252 - Art. 6300



— Art. 6303 - Cushion (x4)



— Art. 6304 - Cushion with backrest (x4)



— Art. 6303 - Cushion (x2)
— Art. 6304 - Cushion with backrest (x2)



— Art. 6303 - Cushion (x1)
— Art. 6304 - Cushion with backrest (x2)
— Art. 6310 - Square table
31,5 x 63 (x2)



— Art. 6303 - Cushion (x1)
— Art. 6304 - Cushion with backrest (x2)
— Art. 6309 - Square table 63 x 63 (x1)

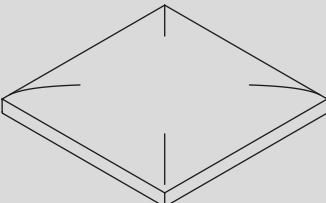
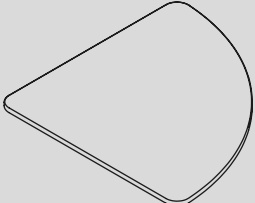

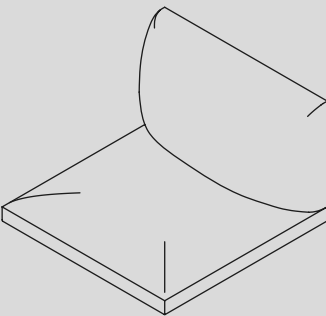
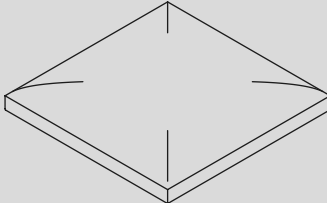
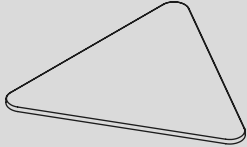
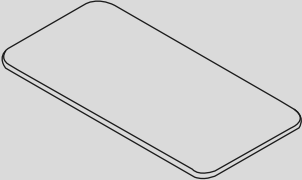
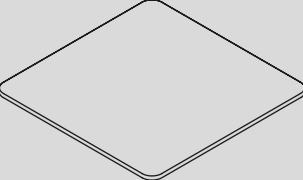
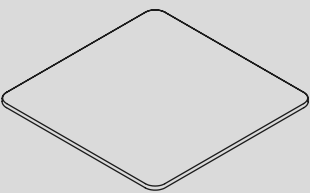
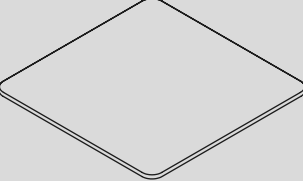


— Art. 6303 - Cushion (x2)
— Art. 6308 - Rectangular table
126 x 63 (x1)

STEP 3 / 4 — Connect the arrangements

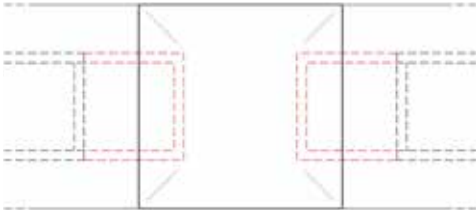
Connect the arranged frames to create linear or angular arrangements (90° and 120°).

Configuration examples:

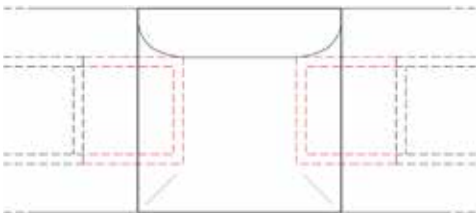
<u>Linear</u>	<u>90°</u>	<u>120°</u>
<p>Art. 6303</p> 	<p>a "L"</p> <p>Art. 6311</p> 	<p>a "V"</p> <p>Art. 6312</p> 
<p>Art. 6304</p> 	<p>a "T"</p> <p>Art. 6303</p> 	<p>a "Y"</p> <p>Art. 6312</p> 
<p>Art. 6310</p> 	<p>Art. 6309</p> 	
<p>Art. 6309</p> 	<p>a "X"</p> <p>Art. 6309</p> 	

Connection examples:

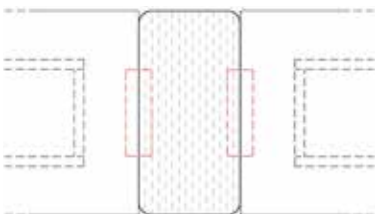
Linear



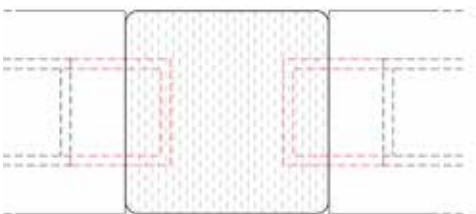
- Art. 6303 - Cushion (x1)
- Art. 6314 - C-shaped link (x2)



- Art. 6304 - Cushion (x1)
- Art. 6314 - C-shaped link (x2)



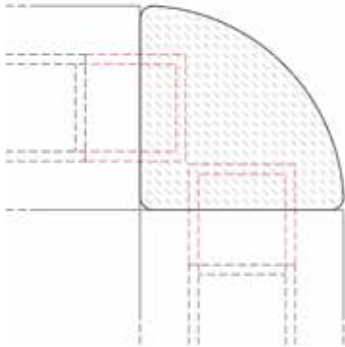
- Art. 6308 - Rectangular table
31,5 x 63 cm (x1)
- Art. 6316 - Plate link (x2)



- Art. 6309 - Rectangular table
63 x 63 cm (x1)
- Art. 6314 - C-shaped link (x2)

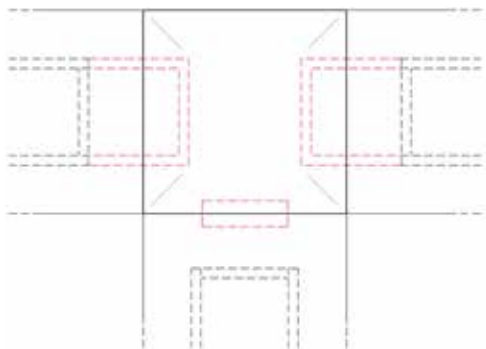
Connection examples:

90°



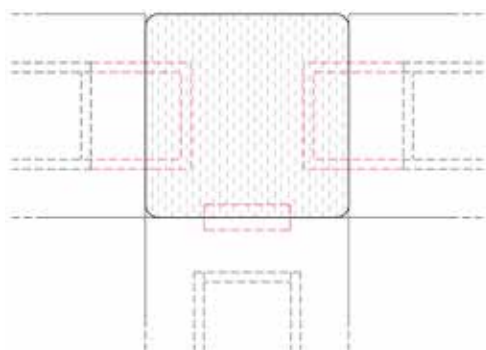
a "L"

- Art. 6311 - Quarter round table
63 63 cm (x1)
- Art. 6314 - C-shaped link (x2)



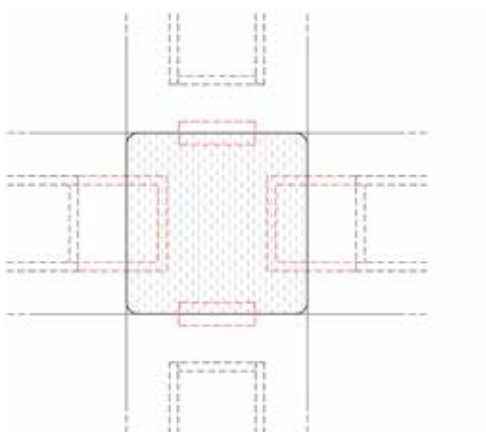
a "T"

- Art. 6303 - Cushion (x1)
- Art. 6314 - C-shaped link (x2)
- Art. 6316 - Plate link (x1)



a "T"

- Art. 6309 - Square table
63 63 cm (x1)
- Art. 6314 - C-shaped link (x2)
- Art. 6316 - Plate link (x1)

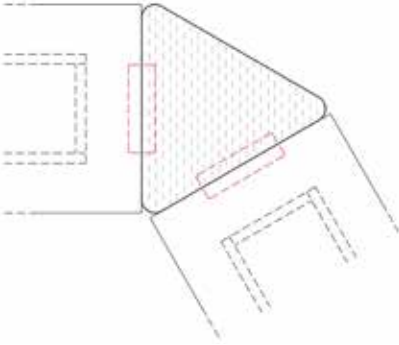


a "X"

- Art. 6309 - Square table
63 63 cm (x1)
- Art. 6314 - C-shaped link (x2)
- Art. 6316 - Plate link (x2)

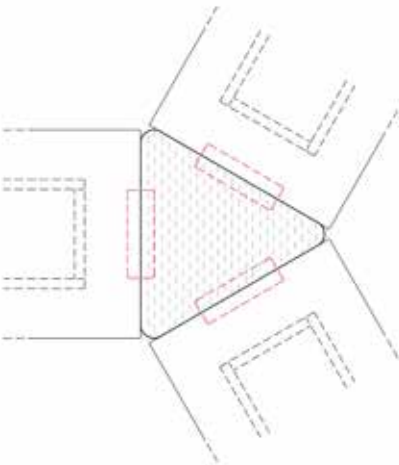
Connection examples:

120°



a "V"

- Art. 6312 - Triangular table
63 x 63 x 63 cm (x1)
- Art. 6316 - Plate link (x2)



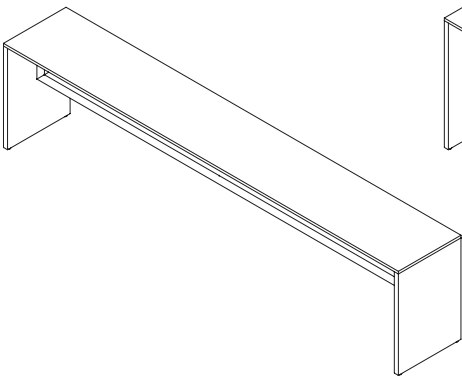
a "Y"

- Art. 6312 - Triangular table
63 x 63 x 63 cm (x1)
- Art. 6316 - Plate link (x3)

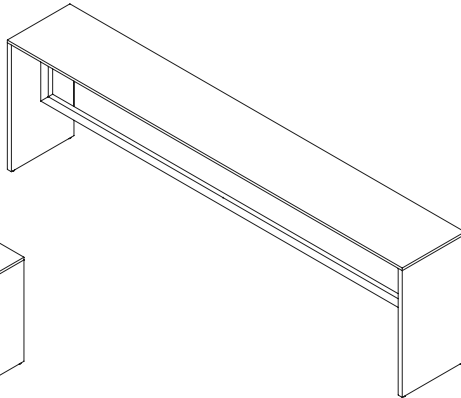
STEP 4 / 4 — Complete the layout

Complete the layout with free-standing elements such as the consoles and the ottoman.

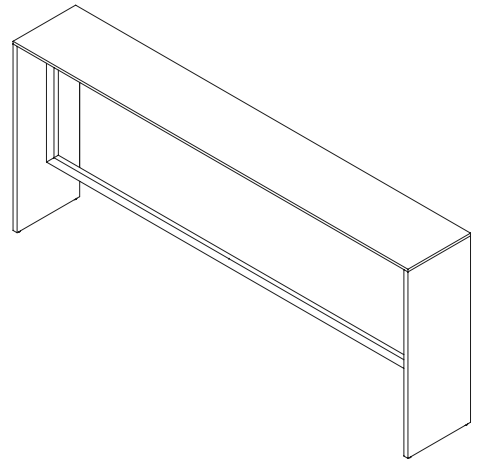
Art. 6305



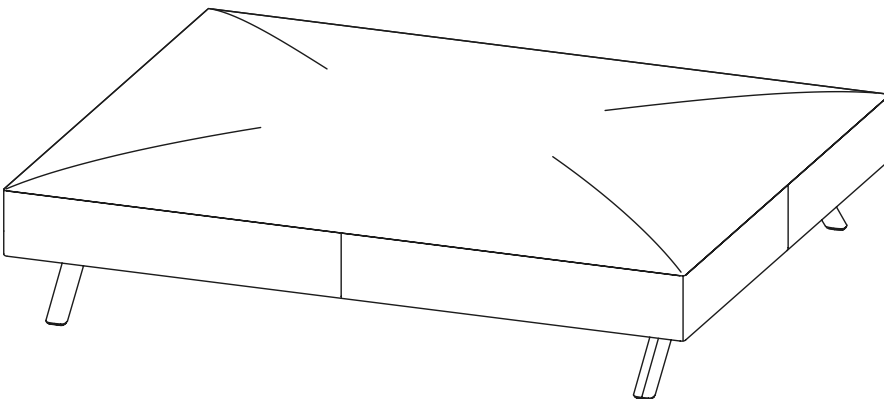
Art. 6306



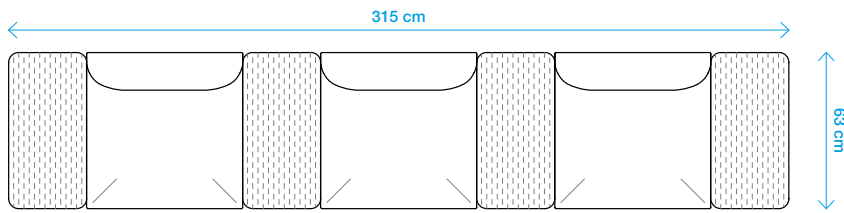
Art. 6307



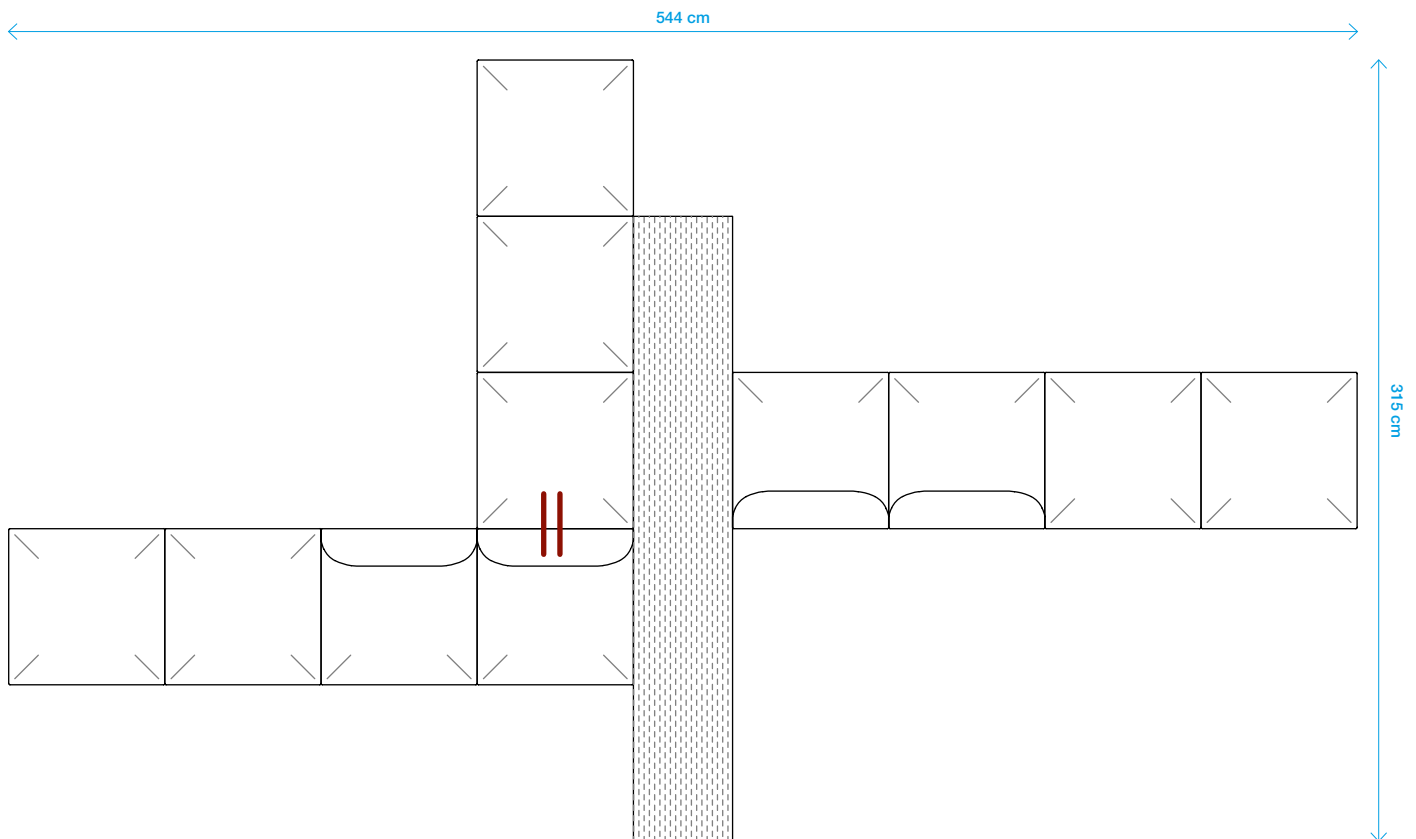
Art. 6313




Layout examples:



- 1 x Art. 6300 – Frame S252
- 3 x Art. 6304 – Cushion with backrest
- 4x Art. 6310 – Rectangular table 31,5 x 63 cm
- 2 x Art. 6314 – C-shaped link

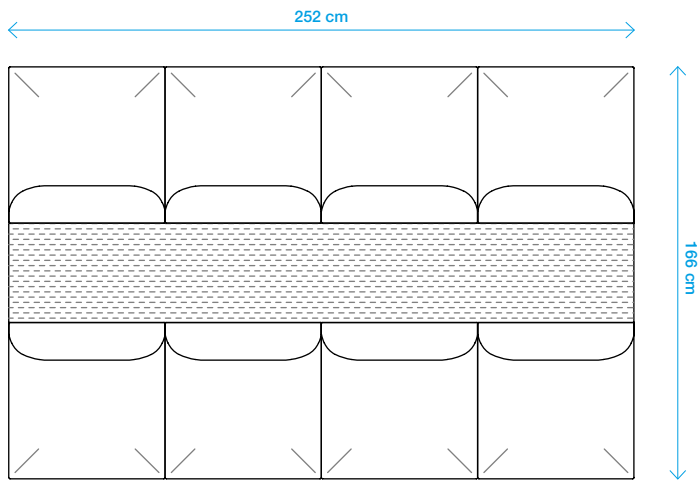


- 2 x Art. 6300 – Frame S252
- 1 x Art. 6301 – Frame S189
- 7 x Art. 6303 – Cushion
- 4 x Art. 6304 – Cushion with backrest
- 1 x Art. 6305 – Console h 58 cm
- 1 x Art. 6316 – Plate link

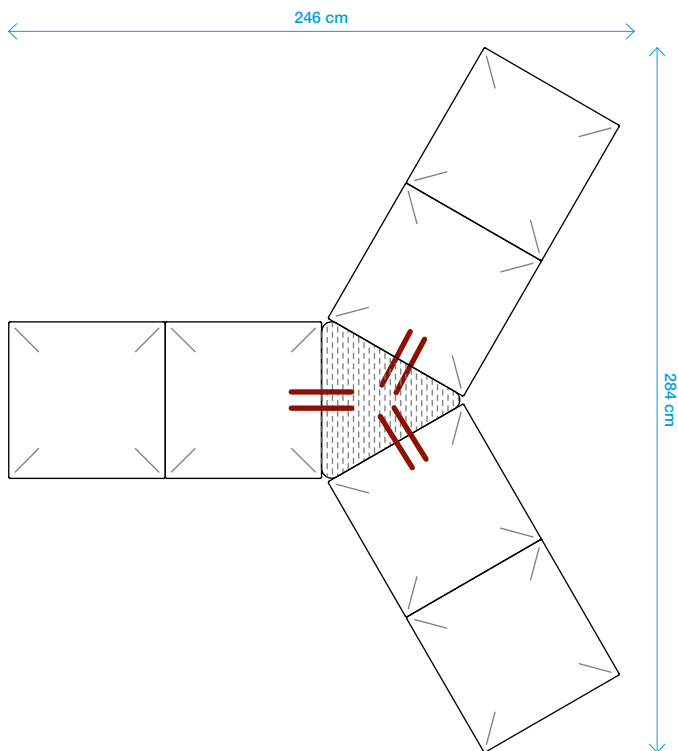
 Connected elements

The other elements are arranged one next the other

Layout examples:



- 2 x Art. 6300 – Frame S252
- 8 x Art. 6304 – Cushion with backrest
- 1 x Art. 6306 – Console h 72 cm



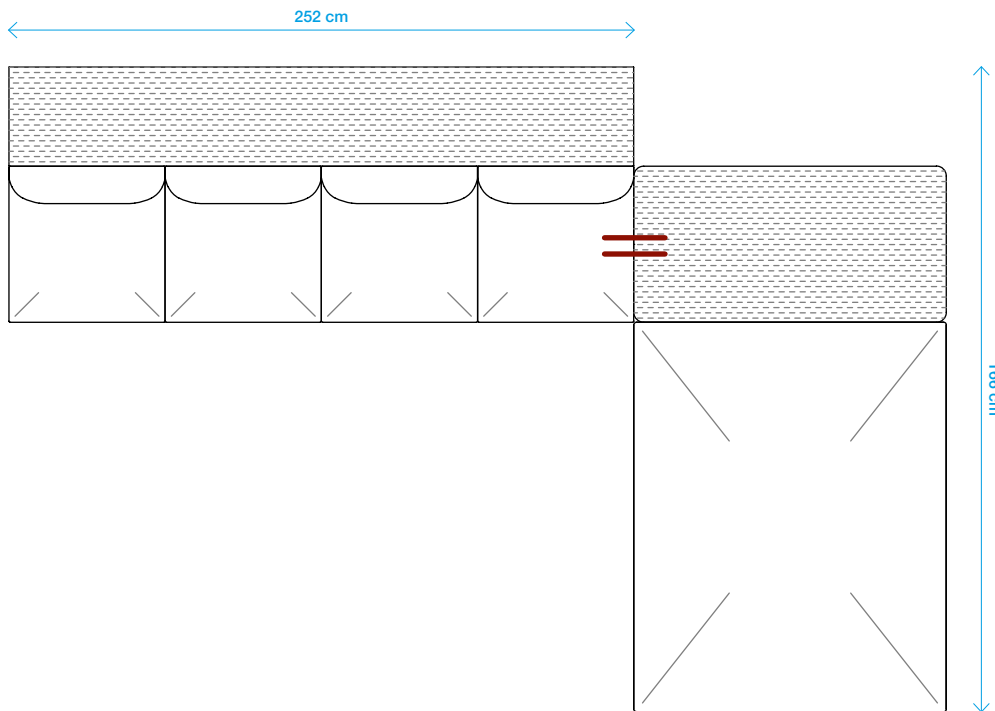
- 3 x Art. 6302 – Frame S126
- 6 x Art. 6303 – Cushion
- 1 x Art. 6312 – Triangular table 63 x 63 x 63 cm
- 3 x Art. 6316 – Plate link



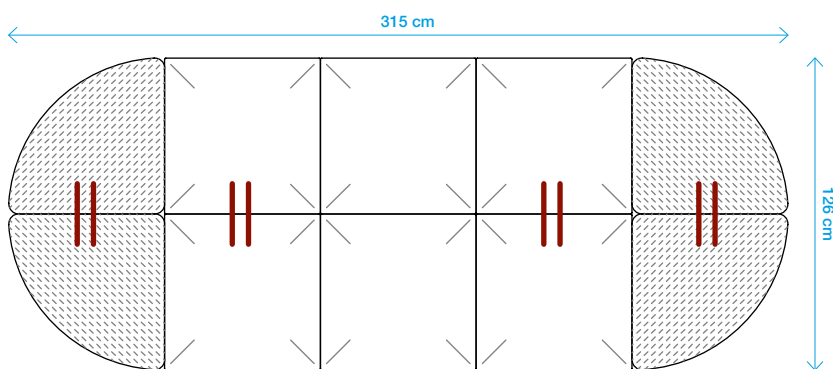
Connect elements

The other elements are arranged one next the other

Layout examples:



- 1 x Art. 6300 – Frame S252
- 1 x Art. 6302 – Frame S126
- 4 x Art. 6304 – Cushion with backrest
- 1 x Art. 6310 – Rectangular table 126 x 63 cm
- 1 x Art. 6307 – Console h 105 cm
- 1 x Art. 6313 – Ottoman



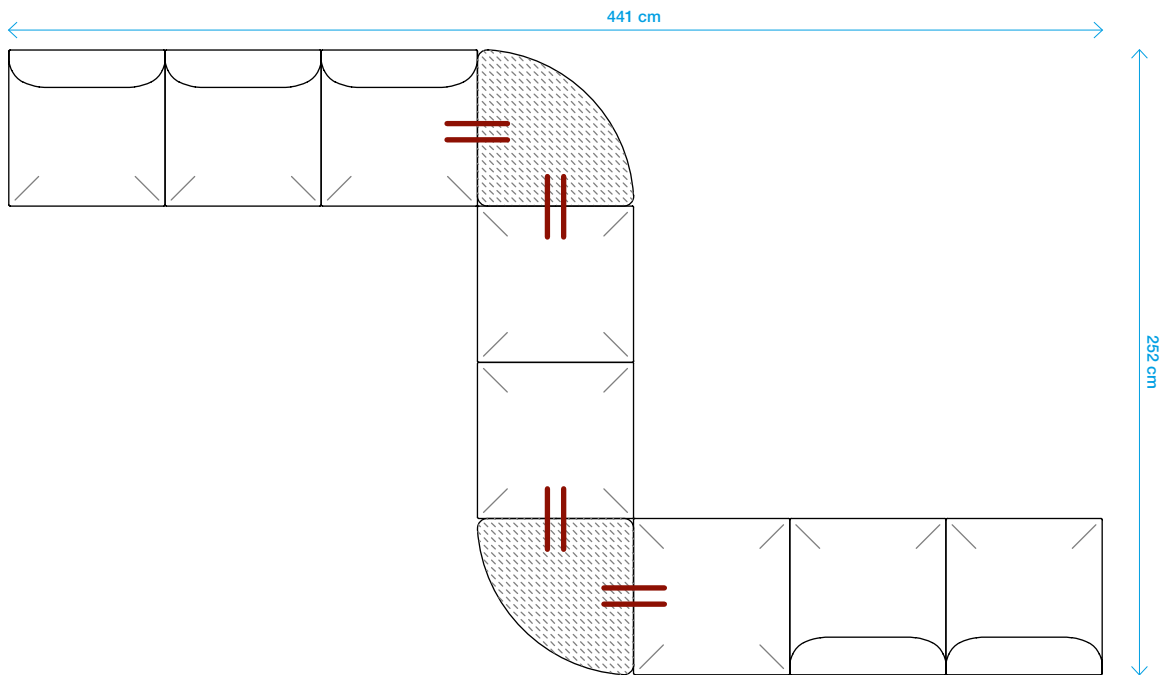
- 2 x Art. 6300 – Frame S252
- 6 x Art. 6303 – Cushion
- 4 x Art. 6311 – Quarter round table 63 x 63 cm
- 2 x Art. 6315 – Island link
- 2 x Art. 6316 – Plate link



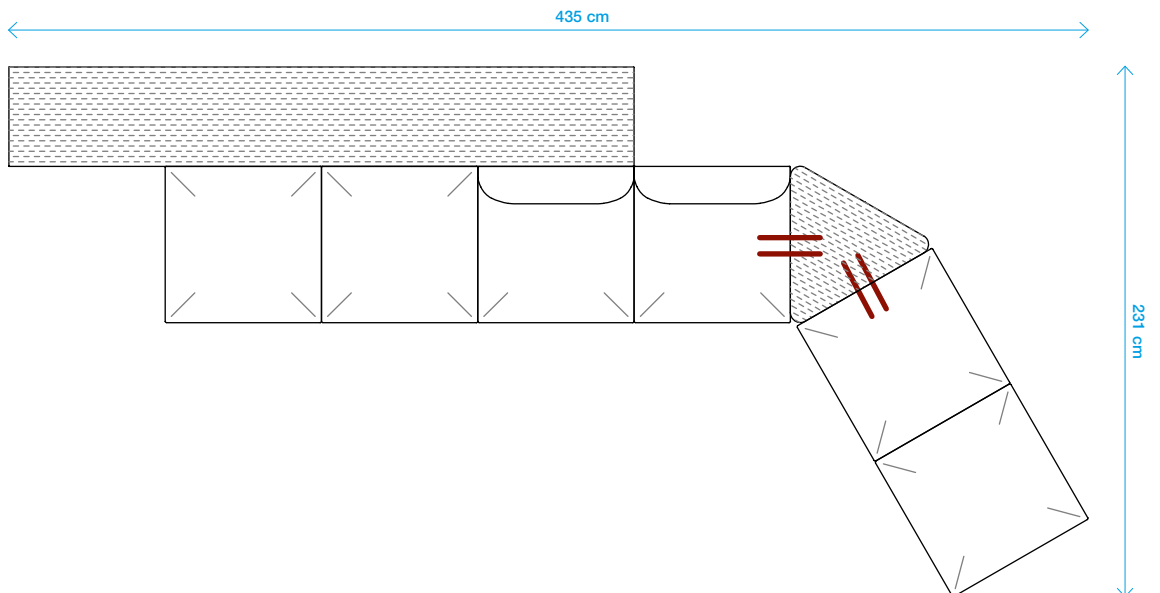
Connected elements

The other elements are arranged one next the other


Layout examples:



- 2 x Art. 6301 – Frame S189
- 1 x Art. 6302 – Frame S126
- 3 x Art. 6303 – Cushion
- 5 x Art. 6304 – Cushion with backrest
- 2 x Art. 6311 – Quarter round table 63 x 63 cm
- 4 x Art. 6314 – C-shaped link



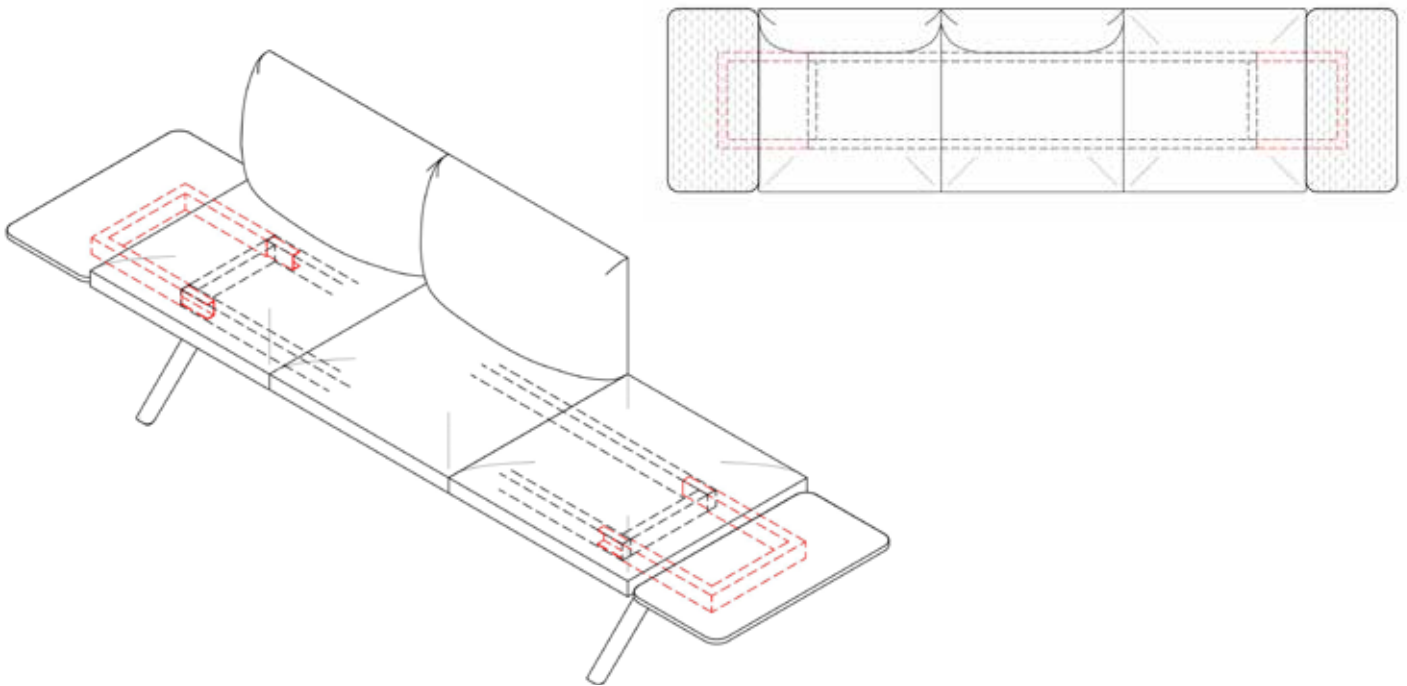
- 1 x Art. 6300 – Frame S252
- 1 x Art. 6302 – Frame S126
- 4 x Art. 6303 – Cushion
- 2 x Art. 6304 – Cushion with backrest
- 1 x Art. 6312 – Triangular table 63 x 63 x 63 cm
- 2 x Art. 6316 – Plate link
- 1 x Art. 6305 – Console h 58 cm

 Connected elements
 The other elements are arranged one next the other

OTHER OPTIONS

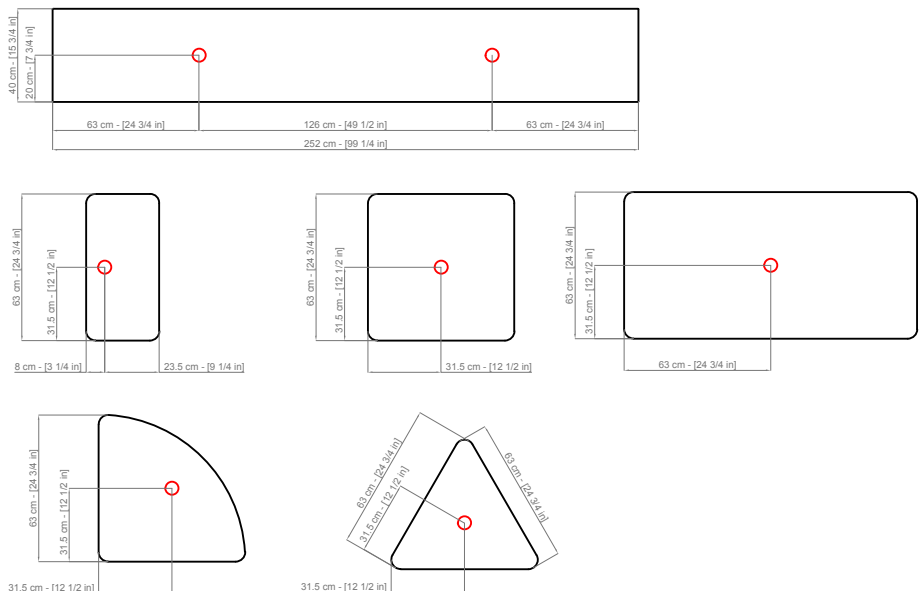
OVERHANGING TABLE MODULES

31,5 x 63 cm rectangular tables (Art. 6310) can be mounted overhanging with respect to the frames by means of a C-shaped link (Art. 6314).



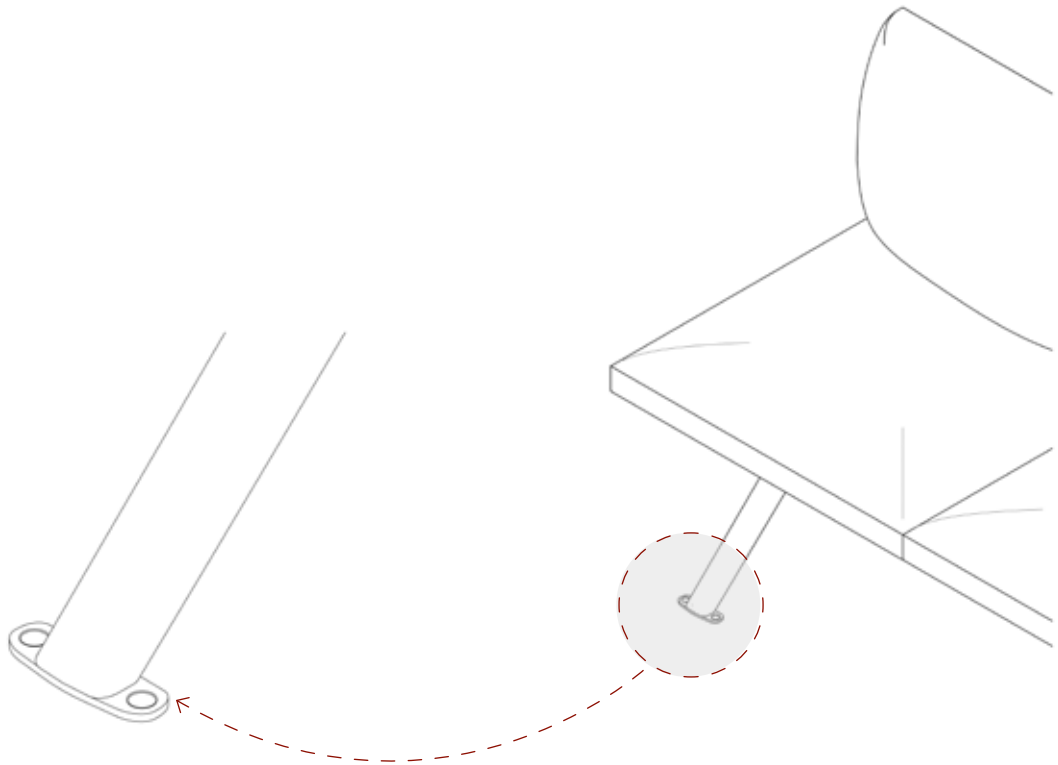
CONSOLE WITH SOCKETS AND SIDE TABLE MODULES

Consoles and side tables can be powered with Bachmann Pix accessories – USB version, two in the consoles and one in the side tables (Art. 6322).



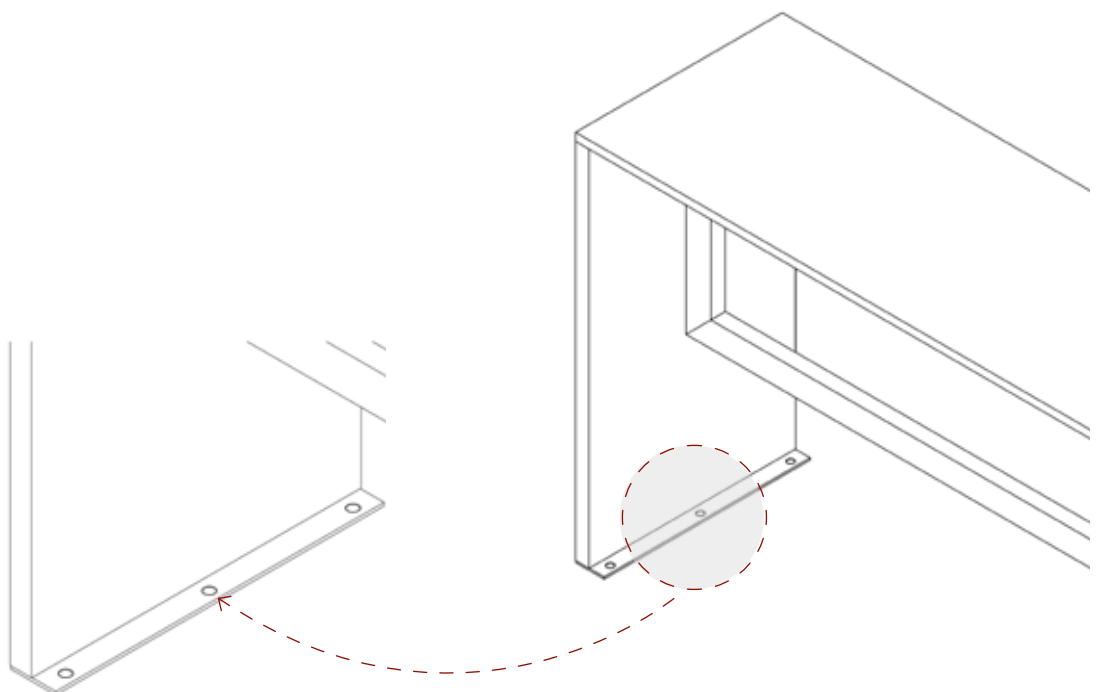
FLOOR FIXING KIT FOR SOFA AND OTTOMAN FRAMES

Sofa and ottoman frames legs can be fixed to the floor by means of a specific accessory (Art. 6320).



FLOOR FIXING KIT FOR CONSOLE

Consoles of any heights can be fixed to the floor by means of a specific accessory (Art. 6321).



Italy

Arper SPA
Via Lombardia 16
31050 Monastier di Treviso (TV)
Italia
T +39 0422 7918
F +39 0422 791800
info@arper.com
www.arper.com

Commerciale Italia
T +39 0422 791905
F +39 0422 791900
commerciale@arper.com

Export Office
T +39 0422 791 907 / 902 / 904 / 905 / 906 /
909 / 914 / 916 / 917 / 927 / 815 / 872
F +39 0422 791900
sales@arper.com

Subsidiaries and Branches

USA

Arper USA Inc.
476 Broadway, Suite 2F
NY 10013 New York
T +1 (212) 647 8900
infousa@arper.com

UK

Arper UK LTD
11 Clerkenwell Road
London EC1M 5PA
T +44 (0) 20 7253 0009
london@arper.com

Japan

Arper Japan K.K.
HT Jingu Gaien Bldg.8F
Minato-ku Kita-Aoyama 2-7-22
Tokyo 107-0061
T +81-3-5775-0008
F +81-3-5775-0009
carejpn@arper.com

UAE

Arper Middle East
U-Bora Towers - Unit 1901
Business Bay
Dubai
T +971 509144800
infome@arper.com

Singapore

Arper SPA
c/o 46 Kim Yam Road, #01-09
The Herencia 239351
Singapore
T +65 98348127
singapore@arper.com

Sweden

Stockholm — Sweden
Banérgatan 10
Stockholm
T +46 733 889090
sweden@arper.com

Showrooms

Amsterdam — The Netherlands
Design Post
Cruquiusweg 111-P
1019 AG Amsterdam
T +31 (0)20 705 1555
showroom@beltane.nl

Chicago — USA
The Merchandise Mart
Space#339 - 3rd Floor
Chicago
T +1 (212) 647 8900 x1
infousa@arper.com

Cologne — Germany
Design Post Köln
Deutz-Mülheimer-Str. 22a
50679 Cologne
T +49 221 690 650
info@designpost.de

Dubai — UAE
U-Bora Towers - Unit 1901
Business Bay
Dubai
T +971 509144800
infome@arper.com

London — UK
11 Clerkenwell Road
London EC1M 5PA
T +44 (0) 20 7253 0009
london@arper.com

Milan — Italy
Via Pantano 30
20122 Milan
T +39 02 89093865
milano@arper.com

Monastier — Italy
Arper SPA
Via Lombardia 16
31050 Monastier di Treviso (TV)
Italia
T +39 0422 7918
F +39 0422 791800
info@arper.com

New York — USA
476 Broadway, Suite 2F
PO Box 1683
NY 10013 New York
T +1 (212) 647 8900
infousa@arper.com

Oslo — Norway
Drammensveien 130
0277 Oslo
M +46 705 101216
norway@arper.com

Stockholm — Sweden
Banérgatan 10
Stockholm
T +46 733 889090
sweden@arper.com

Tokyo — Japan
HT Jingu Gaien Bldg.8F
Minato-ku Kita-Aoyama 2-7-22
Tokyo 107-0061
T +81-3-5775-0008
carejpn@arper.com

Meeting Hubs

Belgium

Sint-Jorisstraat 82,
8730 Beernem
T +32 50 705960
belgium@arper.com

Germany

Fruchtof München
2. Innenhof, 2. Etage
Gotzinger Straße 52b
D-81371 München
T +49 171 5548178
muenchen@arper.com

arper