

# AUKI H72

Hee Welling | 2015



There are moments during the day that go beyond a right angle and seek the sinuous embracing line that supports the body, protects and relaxes it. These are moments for the AUKI armchair. Like a shell, its curved shape gently opens up to create a subtle armrest. The headrest and stool complete its sheer comfort and transform the chair into an elegant chaise-longue. A wide choice of base supports, for the two different complementary small tables, square and round, enhance this perfectly versatile armchair.

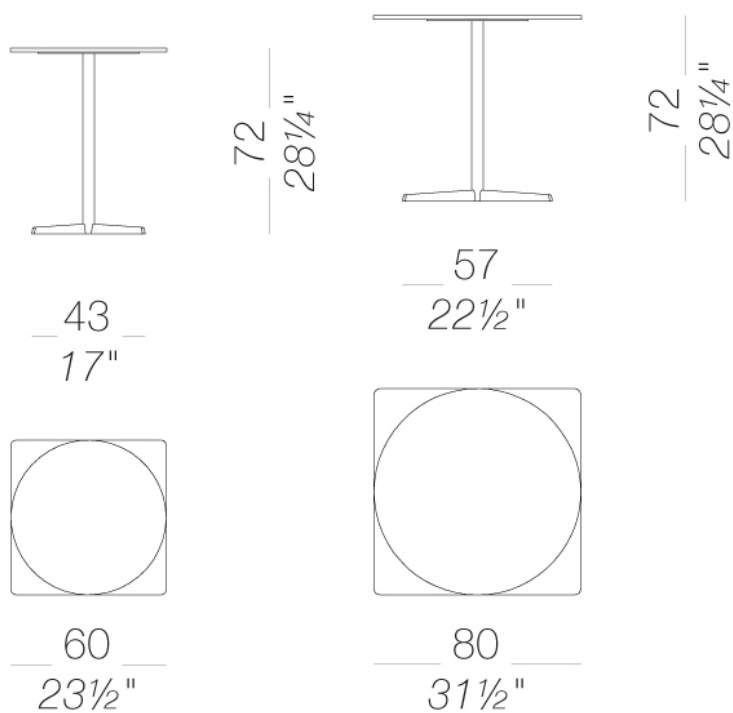


# AUKI

Hee Welling | 2015

## H72 star-shaped base Ø60 60x60 | Ø80 80x80

Table with 4 star base and metal column, all mat chromed or powder coated. Top in several finishes and dimensions.



# AUKI H72

Hee Welling | 2015

## frame



powder coating  
black  
1 Colors

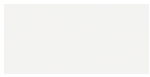


powder coating  
white  
1 Colors

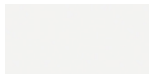


metal  
mat chromed  
1 Colors

## top



laminate  
406 abet 9/10  
1 Colors



HPL 10 mm  
HPL H406  
1 Colors



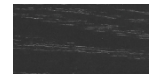
HPL 10 mm  
HPL blanch oak  
1 Colors



HPL 10 mm  
HPL fenix  
2 Colors



wood  
blanch oak  
1 Colors



wood  
black open pore  
1 Colors



wood  
oak dark walnut  
1 Colors



lacquered  
white lacquered  
1 Colors

**consult the portfolio for the range of colors, fabrics, eco-leather, soft-leather.**

### use and maintenance instructions

Clean all parts in wood, leather, fabric and metal with a damp cloth or a diluted neutral cleaner. Do not use cleaners with alcohol, bleach, solvent or abrasive products. Any liquid spilt on the product must be wiped up immediately. When lifting or moving the product, hold it on the structure and not under the seat. The product should not be subjected to unbalanced weights, as it is designed for a proper rest on the foothold (on four legs or on the base). Our company relieves from any responsibility in case of damage caused to fragile floors. Avoid any improper use of the product: do not step on the product, on the footrest or on the armrests. Avoid any movements that could compromise the proper functionality of the product or the safety of the users. Wood and leather, being natural materials, could be easily damaged. Small impurities or imperfections are within quality standard range. Do not expose the product to weather conditions or atmospheric agents, nor to heat sources over 40°C. Also products for outdoor use could be afflicted by atmospheric agents. The product could undergo possible exterior changes due to particular exposure to heat, humidity and saltiness. An appropriate and frequent maintenance and cleaning of the product enhances its durability. The product could change colour and shade, if exposed to direct sunlight. Maintenance has to be carried out by experienced staff. Dispose of the package only after assembling the product, in order to avoid the loss of ironmongery and components. Once the product has been dismantled, the product itself or its components must be given to the public garbage disposal system, according to the legislation in force.