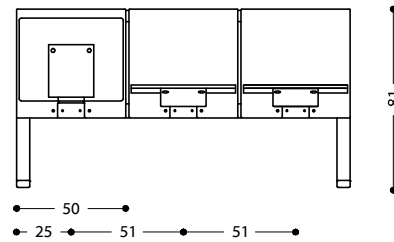
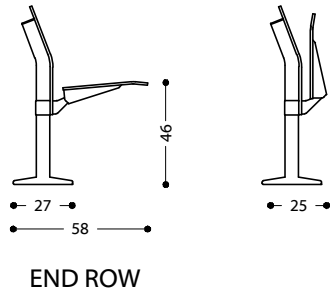
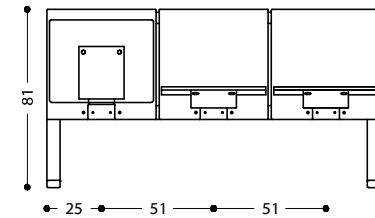
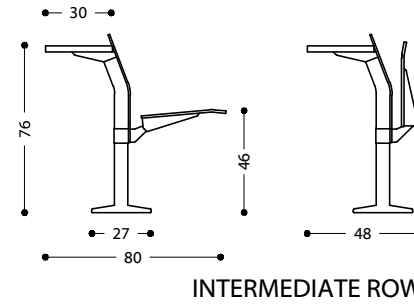
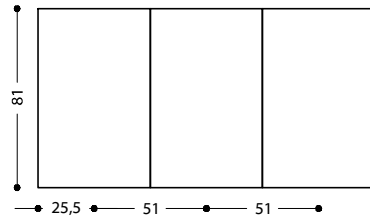
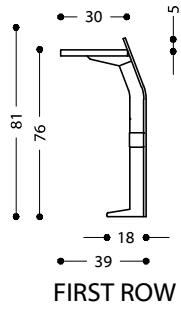
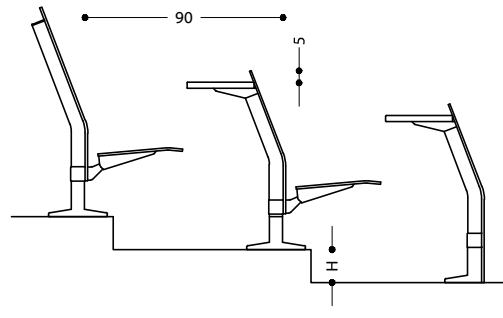
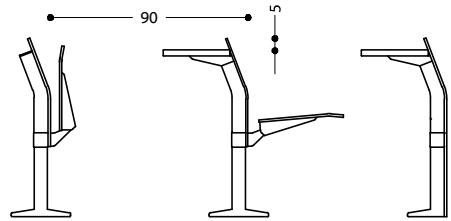


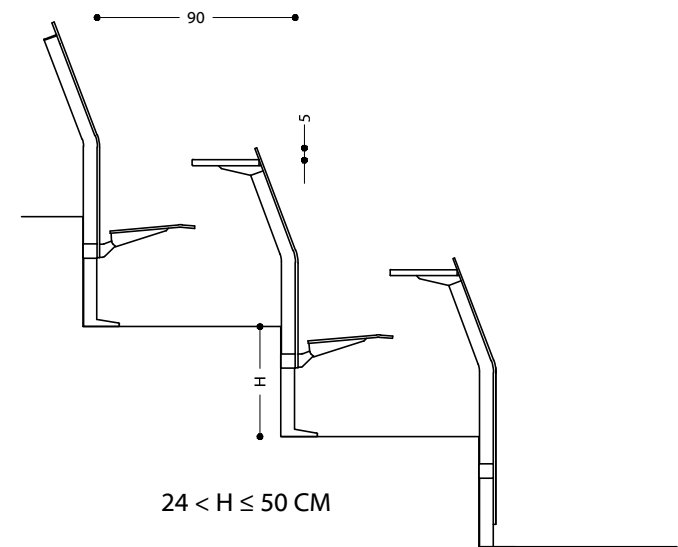
E5000 fixed table



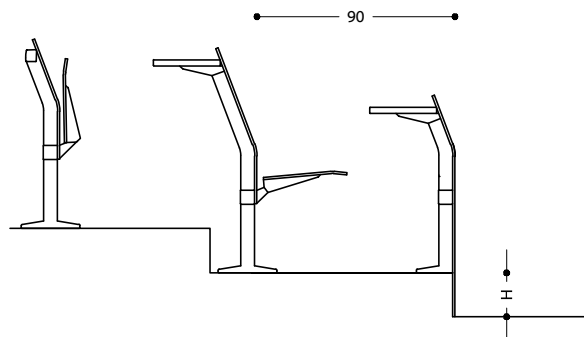
E5000 fixed table



$H \leq 24 \text{ CM}$

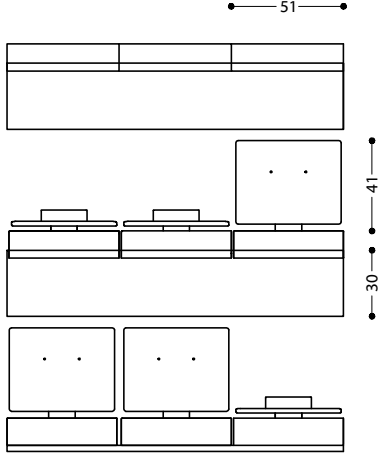
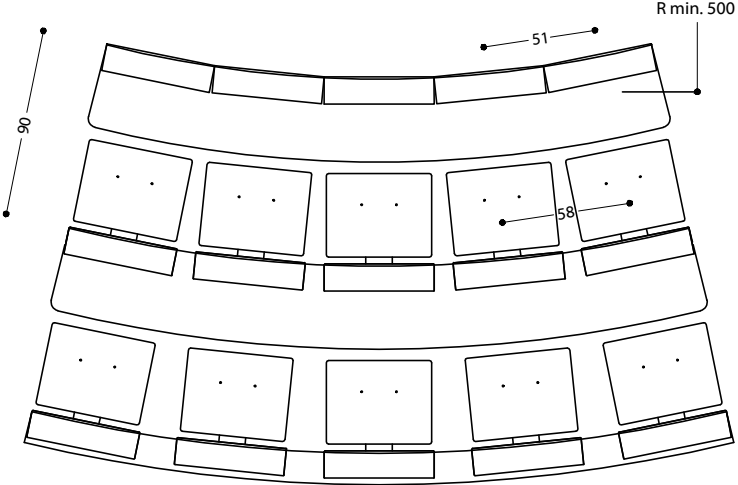


$24 < H \leq 50 \text{ CM}$

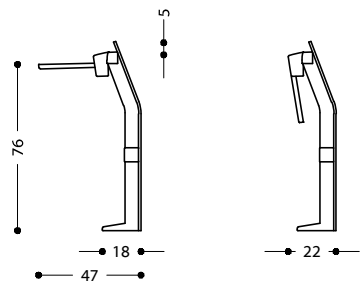


$H \leq 20 \text{ CM}$

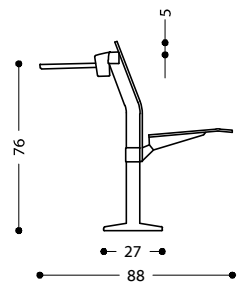
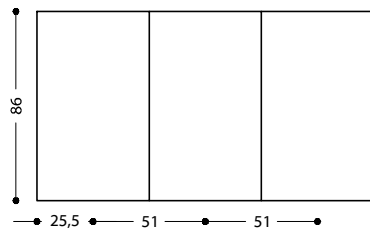
E5000 fixed table



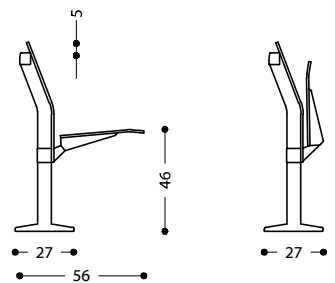
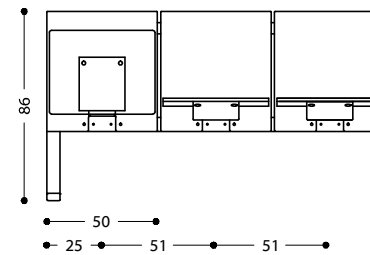
E5000 tip-up table



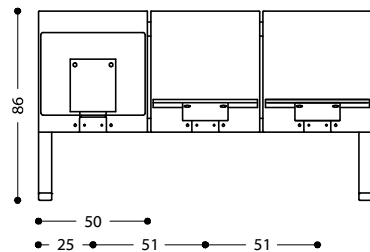
FIRST ROW



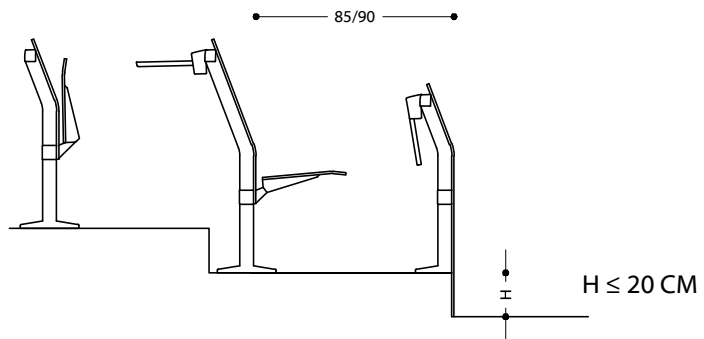
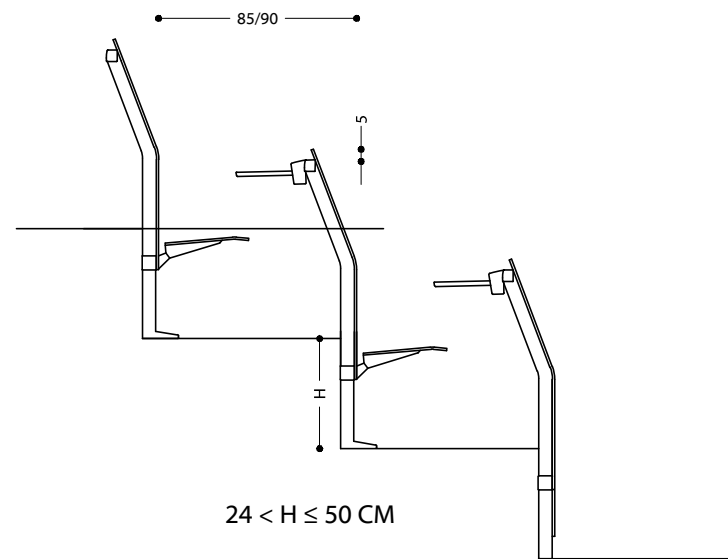
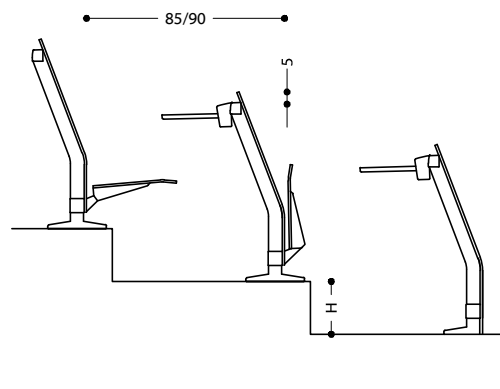
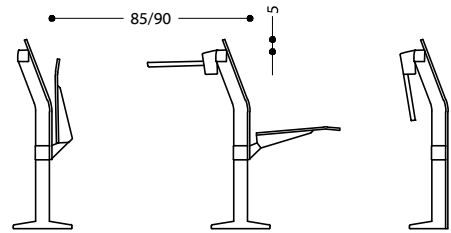
INTERMEDIATE ROW



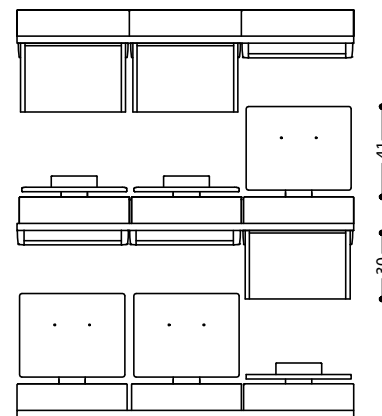
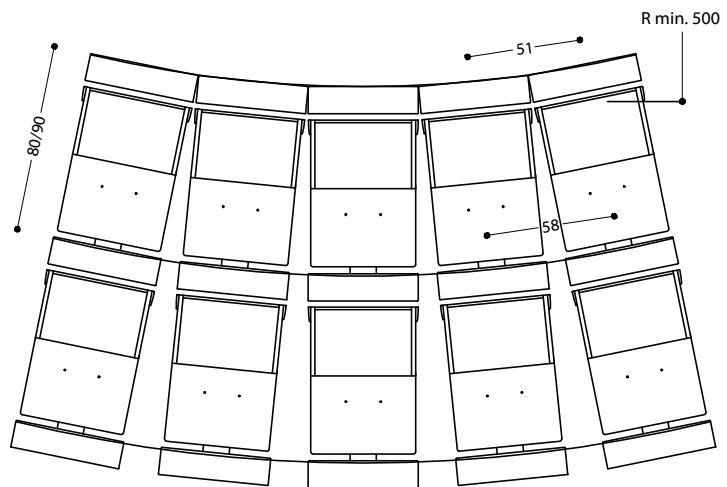
END ROW



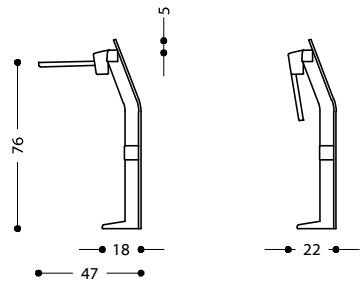
E5000 tip-up table



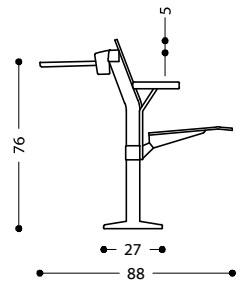
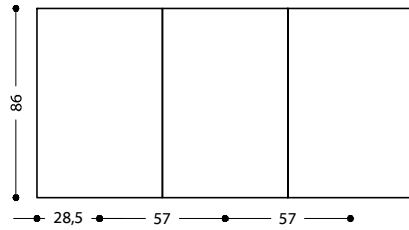
E5000 tip-up table



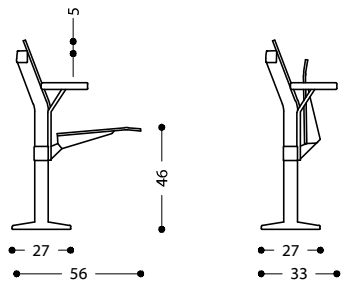
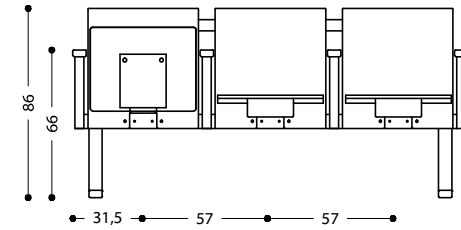
E5000 tip-up table with arms



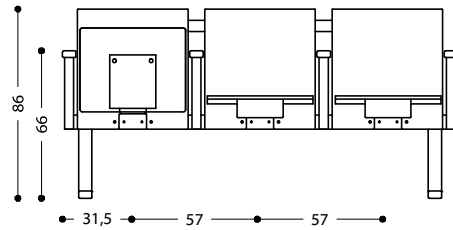
FIRST ROW



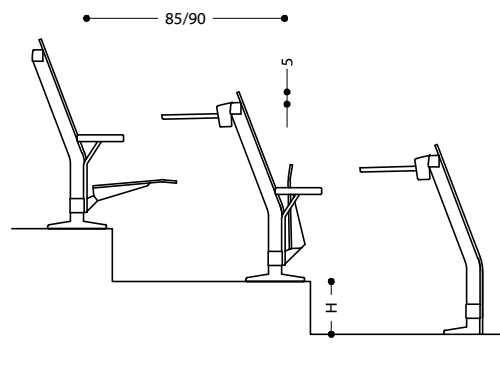
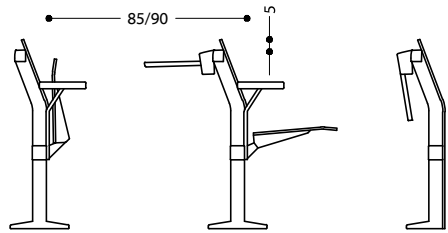
INTERMEDIATE ROW



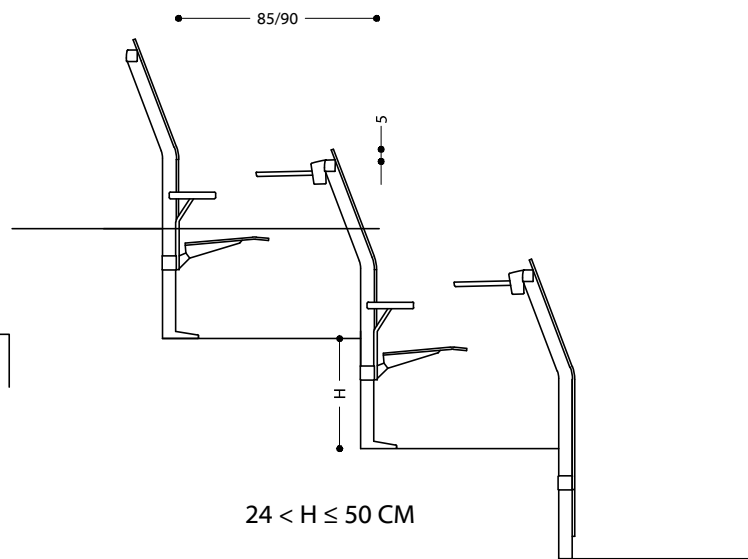
END ROW



E5000 tip-up table with arms



$H \leq 24$ CM



$24 < H \leq 50$ CM

E5000 tip-up table with arms

