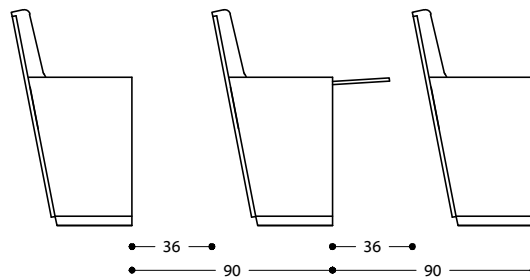
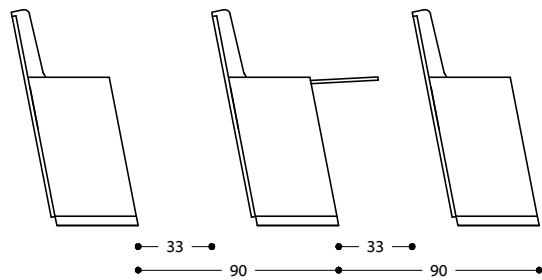
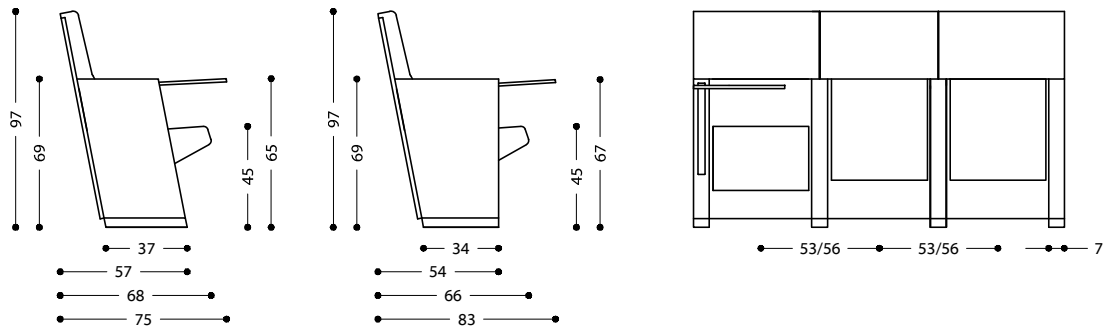
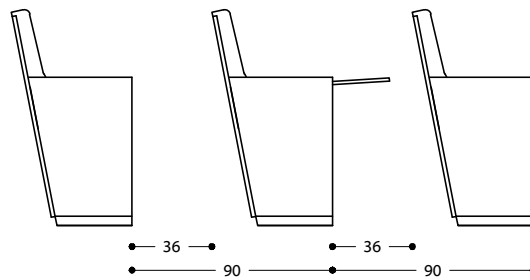
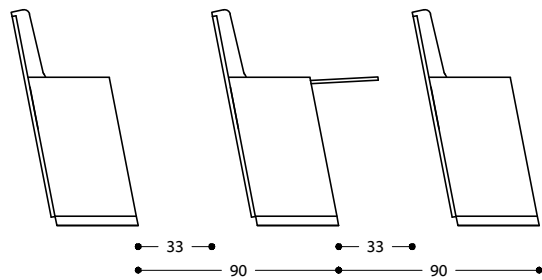
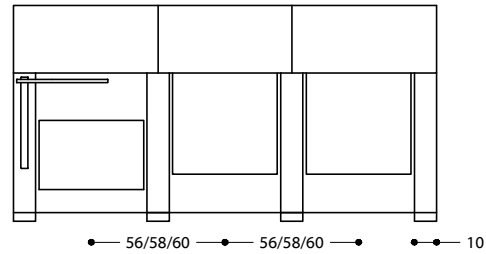
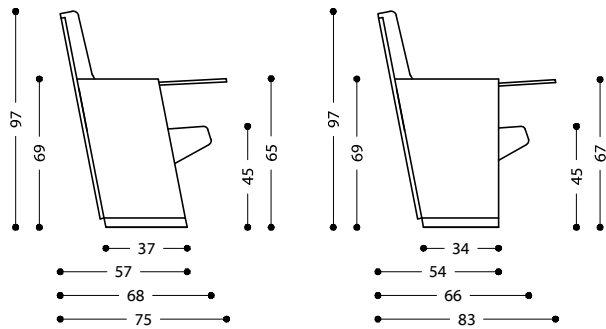


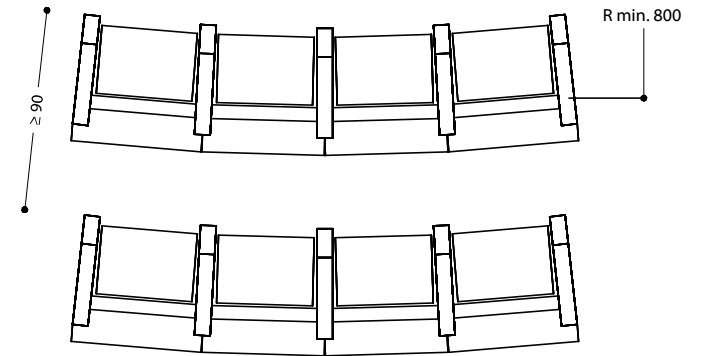
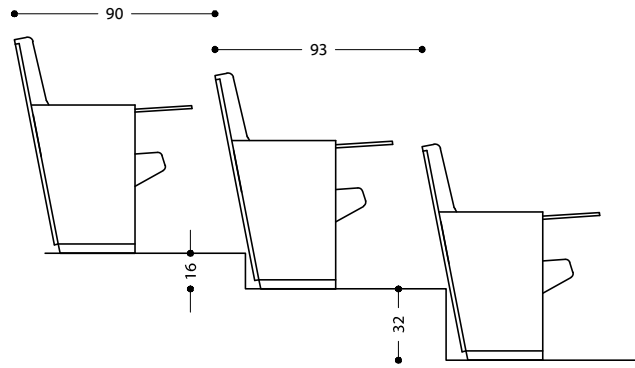
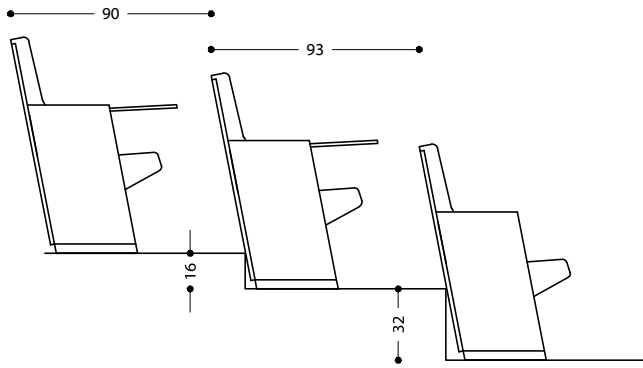
# L213 with standard side (inclined or straight)



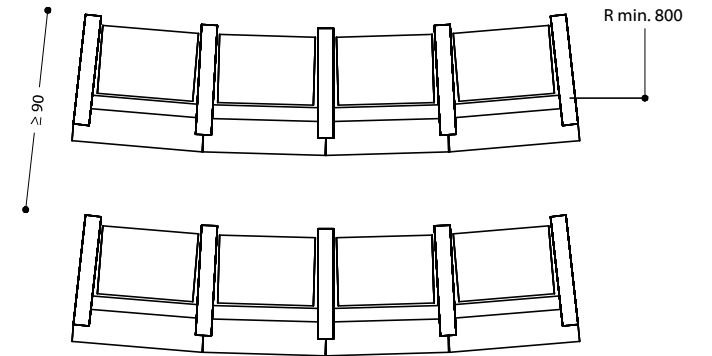
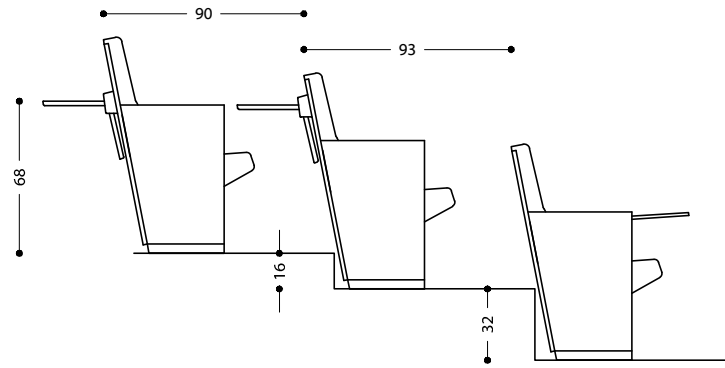
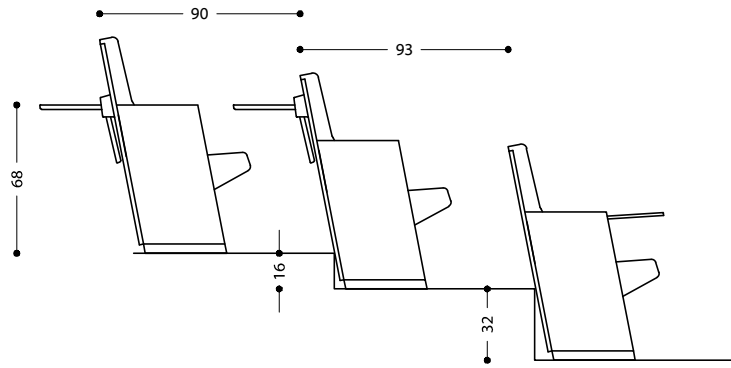
# L213 with increased width side (inclined or straight)



# L213 with standard or width side (inclined or straight)



# L213 with standard or width side (inclined or straight)



# L213 + T200 table

