



# Maarten Stool

BY VICTOR CARRASCO

# Maarten Stool

BY VÍCTOR CARRASCO

Technical Info EN

2012



Swivel stool for the home and for public facilities.

Its powder coated steel tube structure and its carefully made, elegant, upholstered seat recall the classics of the '70s.

Maarten is available in a wide variety of base and seat finishes to fit with all kind of environments.

## Víctor Carrasco

Born in Valencia (Spain) in 1974, Víctor Carrasco began his professional career after graduating Cum Laude in Industrial Design Engineering at the Polytechnic University of Valencia.

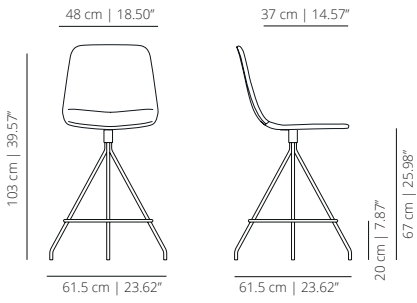
Shying away from trends and fads, he has developed and positioned international brands with remarkable added value, thanks to his passion for synthesis, sustainable growth and his pragmatic vision of the future.

Since 2007, he has been combining his position as strategic director of Viccarbe with that of Director Business Development for the prestigious American multinational Coalesse (Steelcase Inc.). Likewise, as an industrial designer, he has collaborated with numerous international companies.

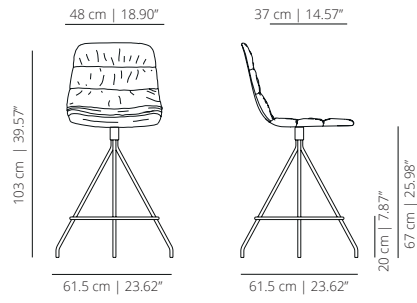
He was the recipient of the Prince Felipe Award for Business Excellence and he has also won the German Design Award.

**SWIVEL COUNTER STOOL**

**MAAL4P**  
smooth upholstery

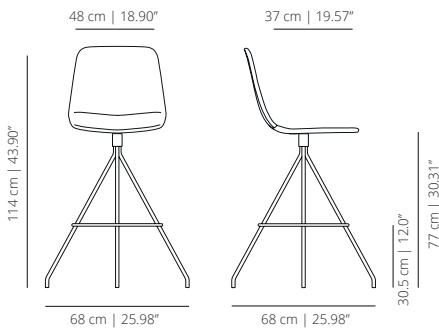


**MAA4P**  
soft upholstery

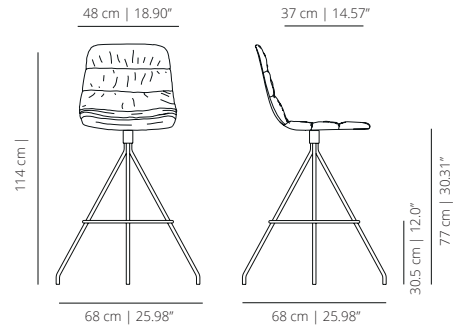


**SWIVEL BAR STOOL**

**MAAL**  
smooth upholstery

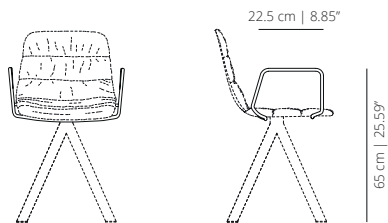


**MAA**  
soft upholstery

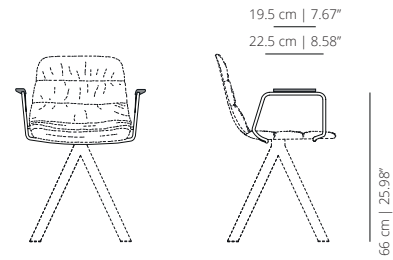


**ACCESSORIES**

**MAB**  
arms

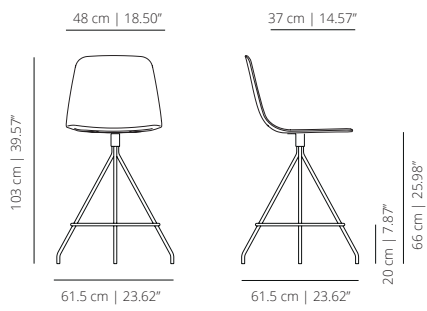


**MAABRM**  
wooden arms

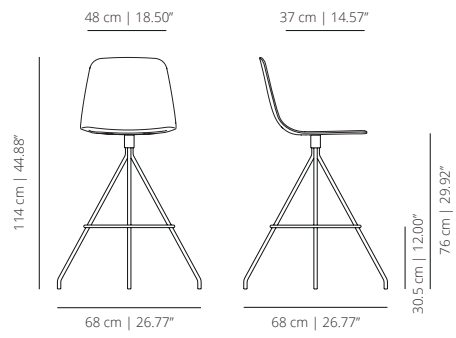


SWIVEL COUNTER STOOL

**MAAPLCO**  
plastic



**MAAPLBAR**  
plastic



## FINISHES

---

### Upholstery

Check upholstery samples.

### STRUCTURE | ARMS

---

#### Powder coated



white  
RAL 9003



black  
RAL 9005



altea blue  
RAL 5000



sand  
RAL 1019



fluor orange  
RAL 2005

#### Stained



matt oak



cognac



wenge



ash

### POLYPROPYLENE VERSION

---

#### Seat



white  
RAL 9003



black  
RAL 9005



yellow ochre  
RAL 070 60 40



dusty green  
NCS 4010 G70Y



brick  
RAL 050 50 30



sand  
RAL 1019

## TECHNICAL INFO

---

Seat options:

**Plastic** – Injected polypropylene seat in white, black, sand, dusty green, yellow ochre or brick.

**Smooth / soft upholstery** – 3D curved plywood covered by expanded polyurethane foam with a smooth finish.

Base options:

**Four counter stool** – Calibrated steel swivel structure powder coated in thermoreinforced polyester in white, black, sand, altea blue or fluorescent orange, and footrest in stainless steel.

**Four counter stool** – Calibrated steel swivel structure powder coated in thermoreinforced polyester in white, black, sand, altea blue or fluorescent orange, and footrest in stainless steel.

## CERTIFICATIONS

---

UNE EN 16139:13 vc 2015 (swivel counter stool and swivel bar stool)



**viccarbe**